



**OUTDOOR**  
ESSENTIALS®

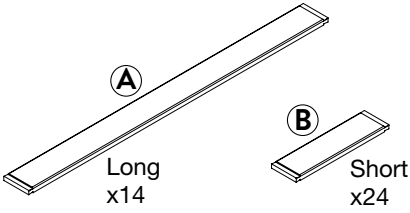
# HAVEN 4X4 CEDAR TIERED GARDEN BED

## ASSEMBLY INSTRUCTIONS

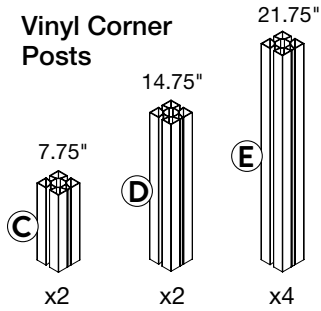
ACTUAL SIZE: 46 in. L x 46 in. W x 22 in. H

### PARTS LIST

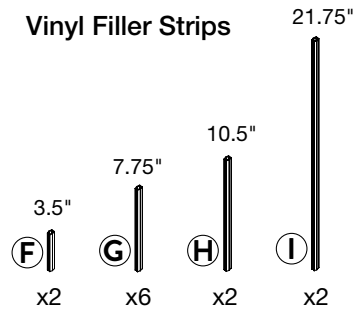
#### 1x4 Cedar Boards



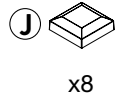
#### Vinyl Corner Posts



#### Vinyl Filler Strips



#### Vinyl Caps



### ADDITIONAL ITEMS YOU MAY NEED

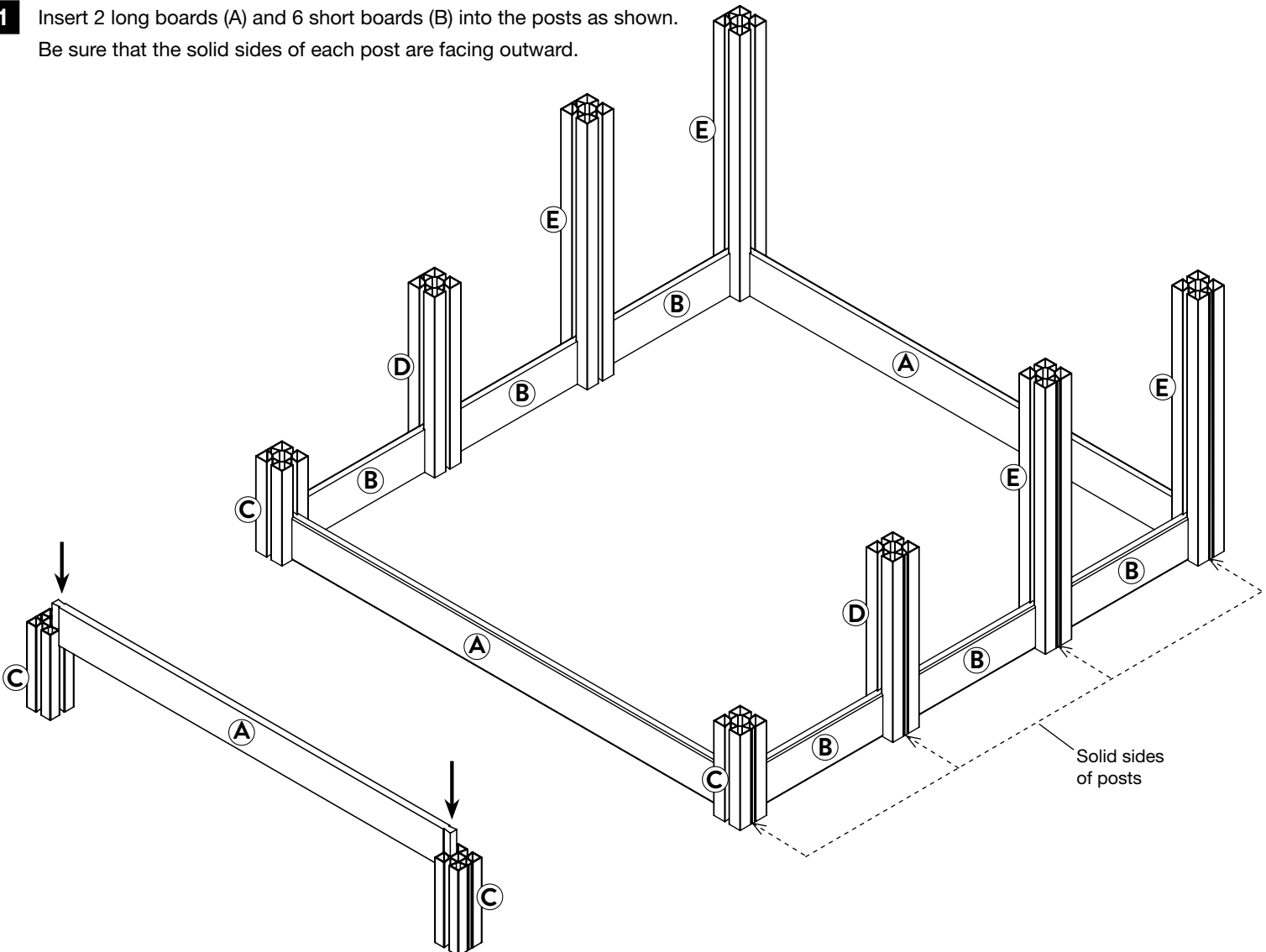
- Work gloves or gardening gloves
- Landscape fabric or weed barrier
- Approximately 14 cubic feet of soil to fill the planter
- Rubber mallet

Scan here to view our assembly video.



### ASSEMBLY

- 1 Insert 2 long boards (A) and 6 short boards (B) into the posts as shown. Be sure that the solid sides of each post are facing outward.



Continued on next page

14185\_4/22

# HAVEN 4X4 CEDAR TIERED GARDEN BED

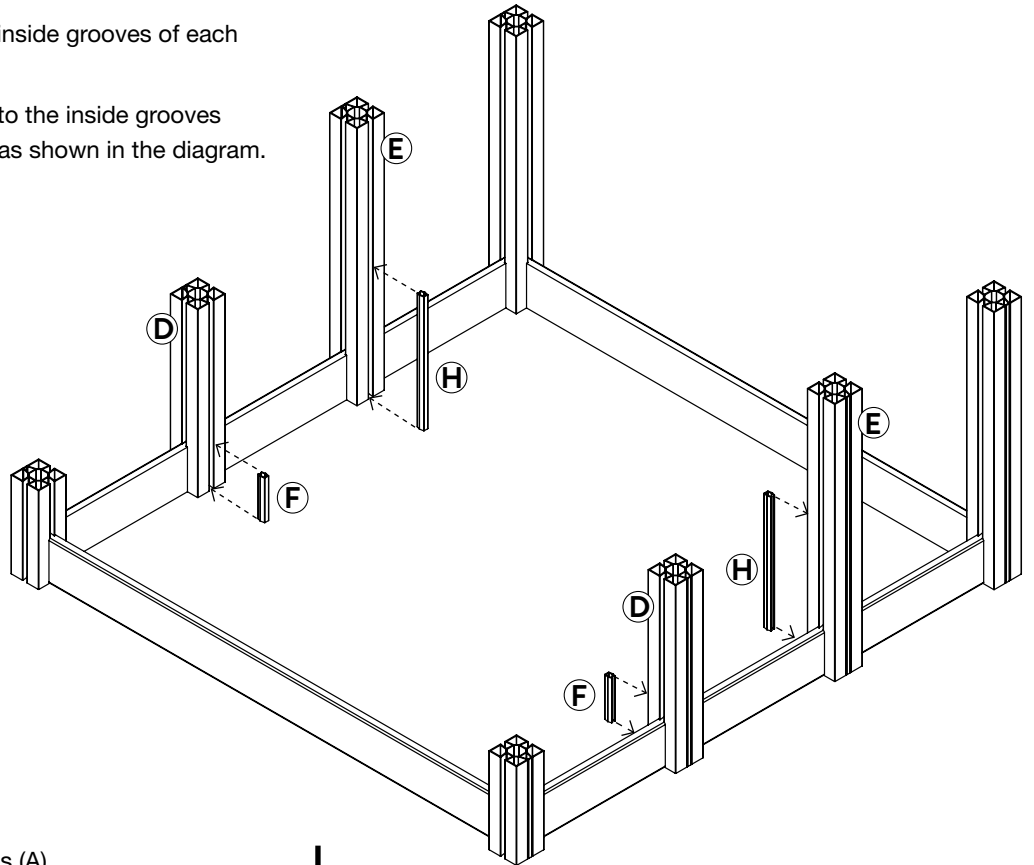
## ASSEMBLY INSTRUCTIONS

### ASSEMBLY – continued

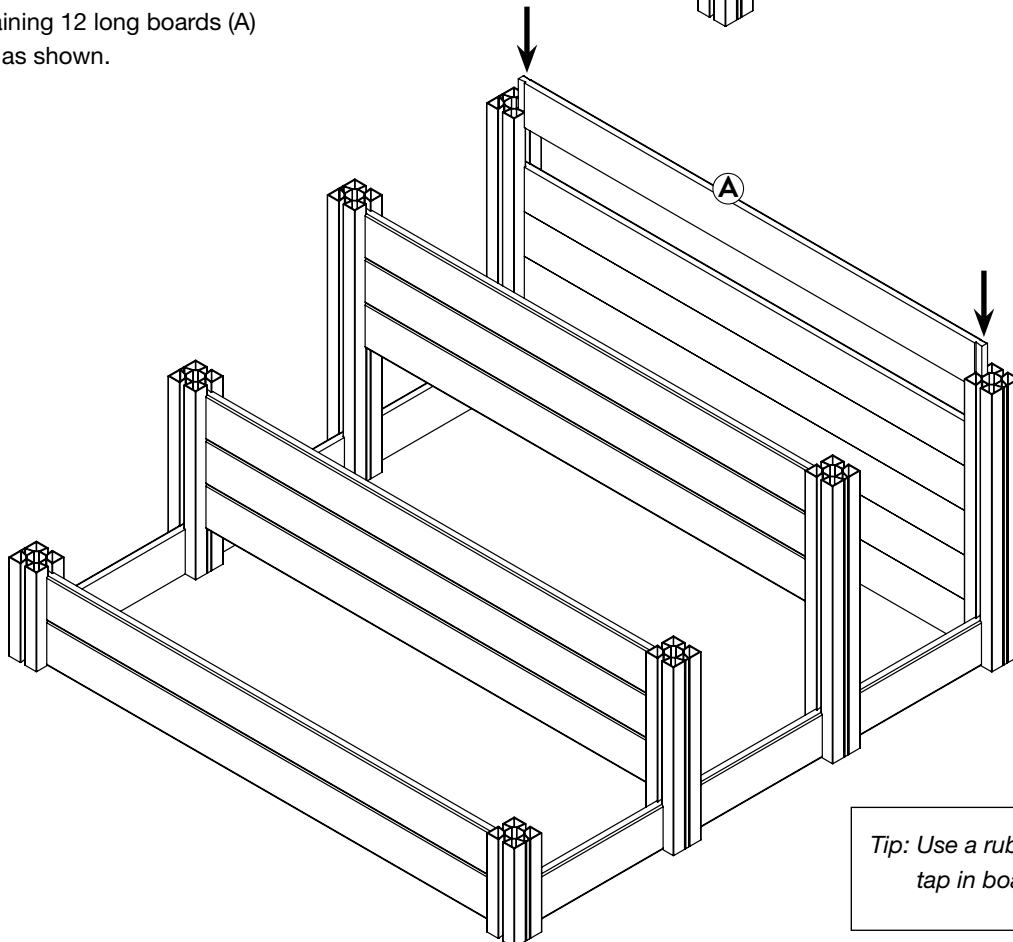
- 2** Snap a 3.5" filler strip (F) into the inside grooves of each 14.75" post (D) as shown.

Next, snap 10.5" filler strips (H) into the inside grooves of the first set of 21.75" posts (E) as shown in the diagram.

**Note:** Filler strips should be flush with bottom of posts.



- 3** Slide the remaining 12 long boards (A) into the posts as shown.



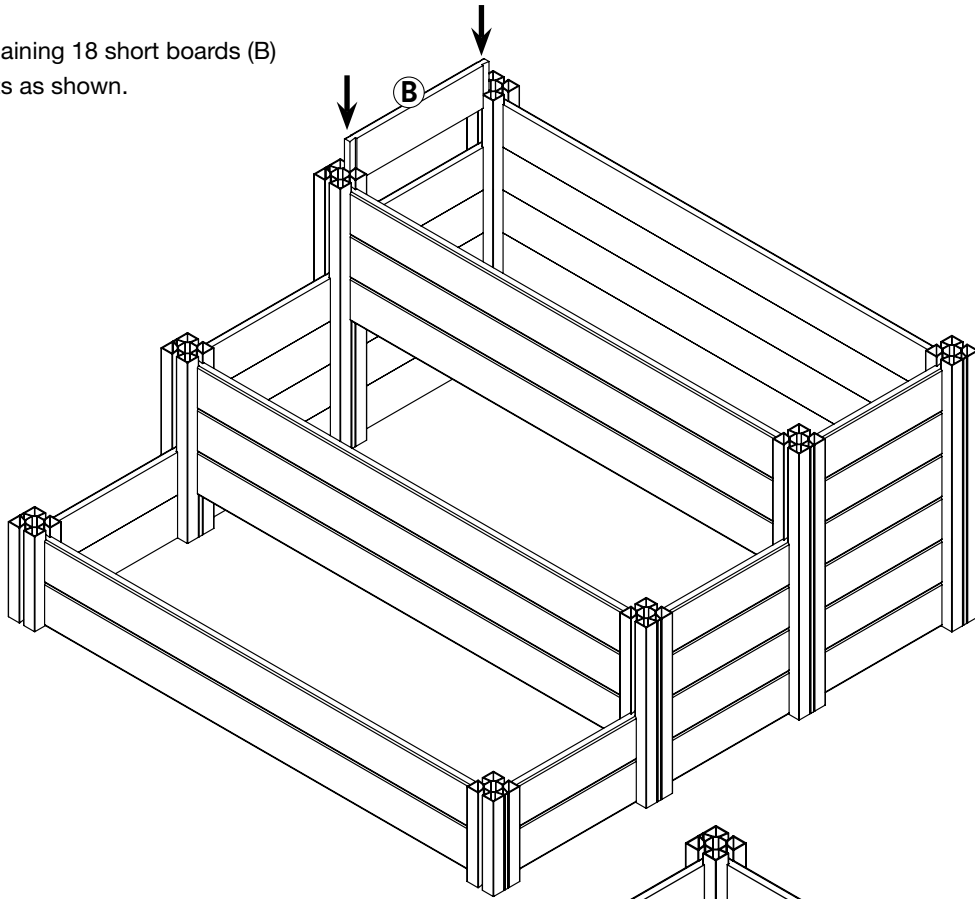
*Tip: Use a rubber mallet to gently tap in boards if needed.*

# HAVEN 4X4 CEDAR TIERED GARDEN BED

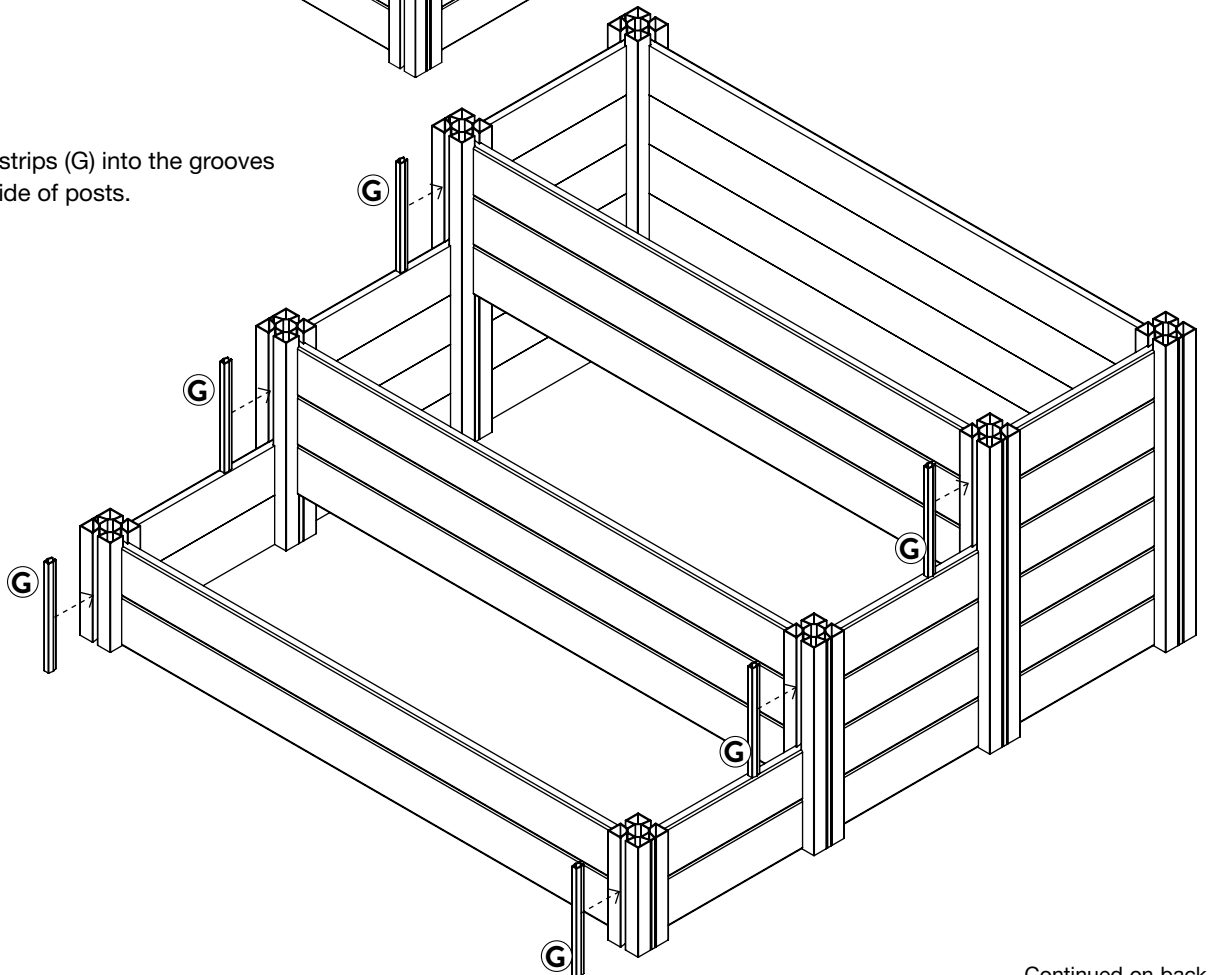
## ASSEMBLY INSTRUCTIONS

### ASSEMBLY – continued

- 4** Slide the remaining 18 short boards (B) into the posts as shown.



- 5** Snap the 7.75" filler strips (G) into the grooves on the front-facing side of posts.



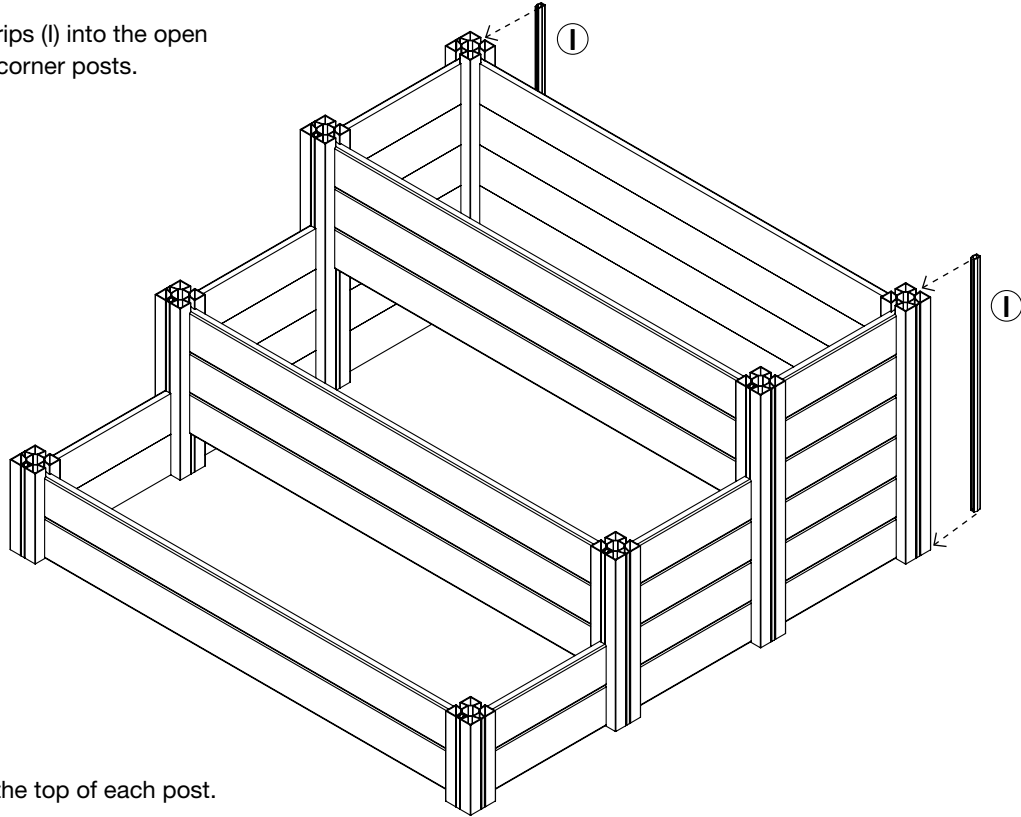
Continued on back

# HAVEN 4X4 CEDAR TIERED GARDEN BED

## ASSEMBLY INSTRUCTIONS

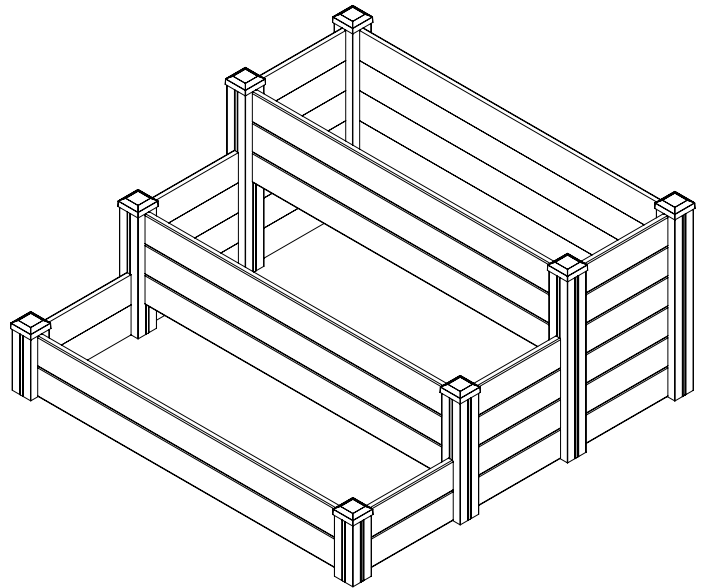
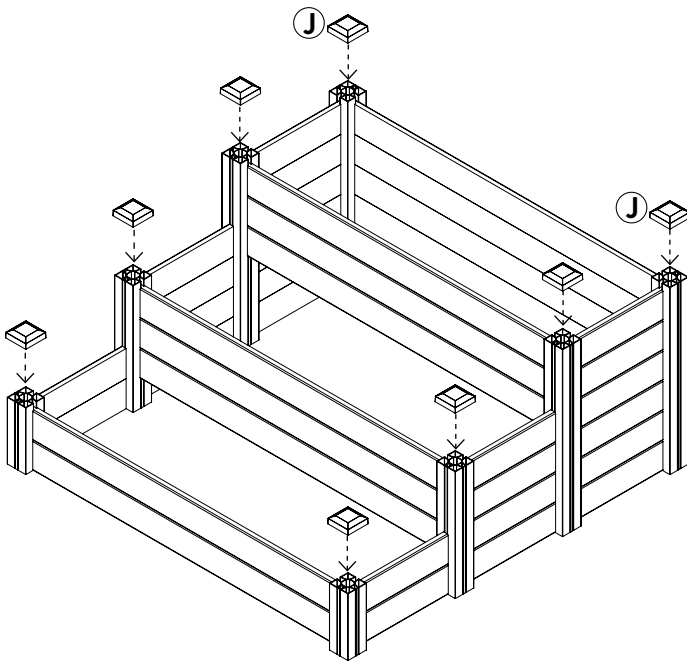
### ASSEMBLY – continued

- 6** Snap the 21.75" filler strips (I) into the open grooves of the last two corner posts.



- 7** Attach post caps (J) to the top of each post.

TIP: Use PVC glue (sold separately) to secure the caps in place (optional).



- Lay down landscape fabric or weed barrier (sold separately) prior to filling with soil.
- You will need approximately 14 cubic feet of soil to fill the bed.

THE DIAGRAMS AND INSTRUCTIONS IN THIS BROCHURE ARE FOR ILLUSTRATION PURPOSES ONLY AND ARE NOT MEANT TO REPLACE A LICENSED PROFESSIONAL. ANY CONSTRUCTION OR USE OF THE PRODUCT MUST BE IN ACCORDANCE WITH ALL LOCAL ZONING AND/OR BUILDING CODES. THE CONSUMER ASSUMES ALL RISKS AND LIABILITY ASSOCIATED WITH THE CONSTRUCTION OR USE OF THIS PRODUCT. THE CONSUMER OR CONTRACTOR SHOULD TAKE ALL NECESSARY STEPS TO ENSURE THE SAFETY OF EVERYONE INVOLVED IN THE PROJECT, INCLUDING, BUT NOT LIMITED TO, WEARING THE APPROPRIATE SAFETY EQUIPMENT. EXCEPT AS CONTAINED IN THE WRITTEN LIMITED WARRANTY, THE WARRANTOR DOES NOT PROVIDE ANY OTHER WARRANTY, EITHER EXPRESS OR IMPLIED, AND SHALL NOT BE LIABLE FOR ANY DAMAGES, INCLUDING CONSEQUENTIAL DAMAGES.