

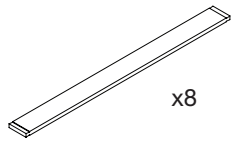


**OUTDOOR  
ESSENTIALS®**

# HAVEN 4X4 CEDAR RAISED GARDEN BED (7" HEIGHT) ASSEMBLY INSTRUCTIONS

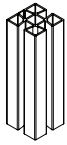
ACTUAL SIZE: 46 in. L x 46 in. W x 7 in. H

## Parts List



x8

1x4 Cedar Boards



x4

Vinyl Corners



x4

Vinyl Filler Strips



x4

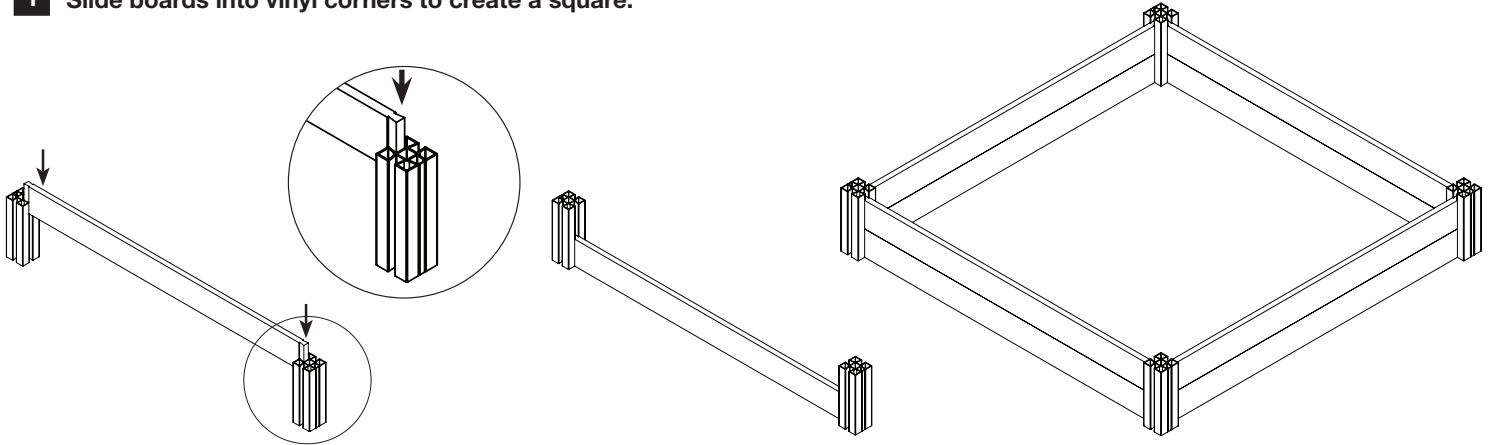
Vinyl Caps

## Recommended items needed

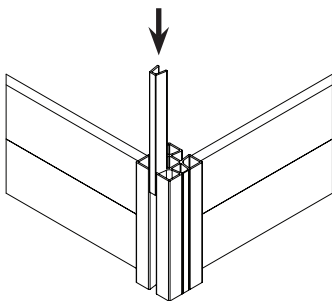
- Work gloves or gardening gloves
- Landscape fabric or weed barrier (not included)
- Approximately 7 cubic feet of soil to fill the planter

## Assembly

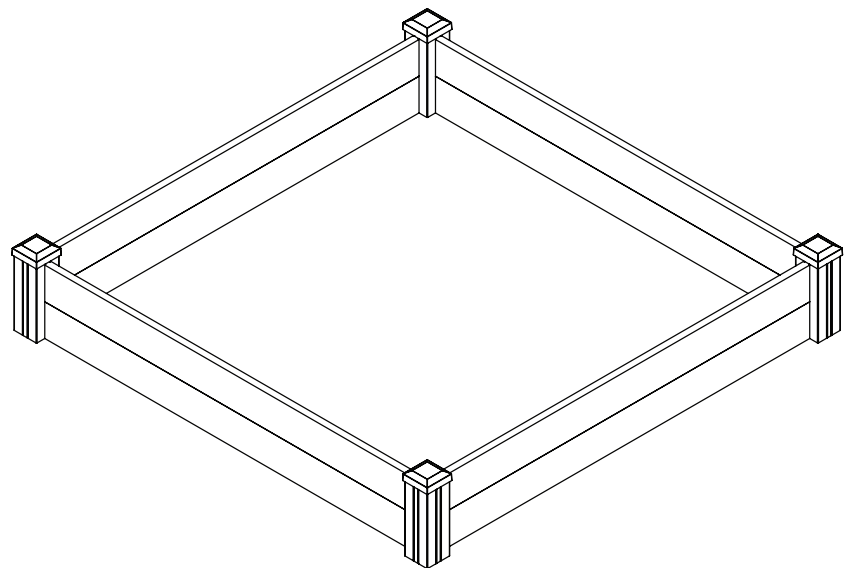
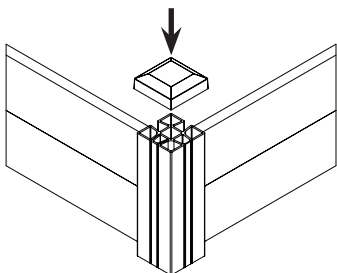
**1** Slide boards into vinyl corners to create a square.



**2** Insert filler strips into open grooves.



**3** Push vinyl caps onto corners.



View our assembly video at [oe.media/planters](https://oe.media/planters)

Continued on back



**OUTDOOR**  
ESSENTIALS®

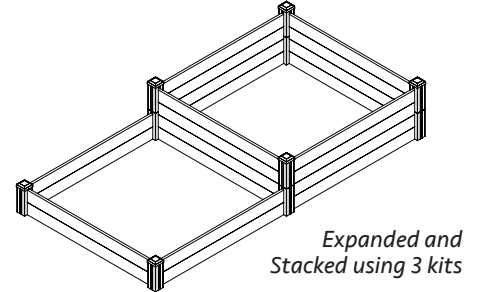
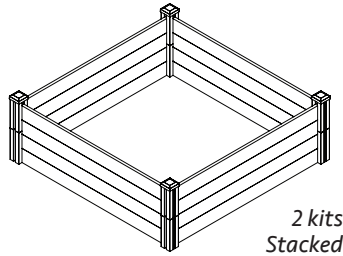
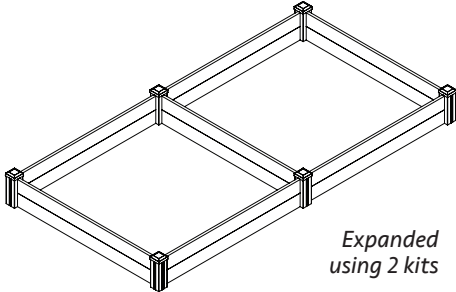
# HAVEN 4X4 CEDAR RAISED GARDEN BED (7" HEIGHT)

## ASSEMBLY INSTRUCTIONS - continued

ACTUAL SIZE: 46 in. L x 46 in. W x 7 in. H

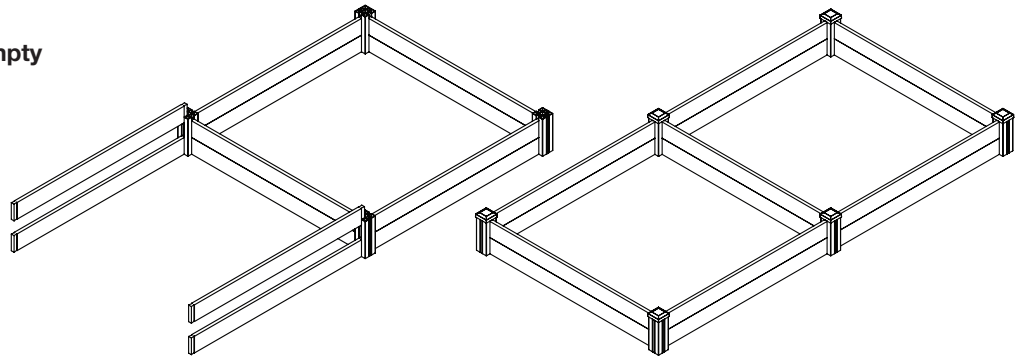
### Expanding your bed

Combine two or more raised garden beds to create a larger or taller planting space!



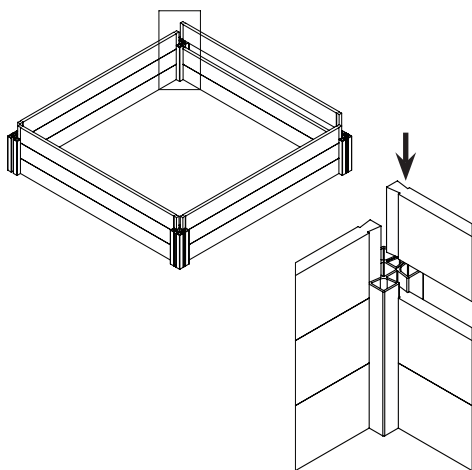
### To Expand

Slide boards from second kit into empty grooves to expand your garden bed. Save any leftover parts.

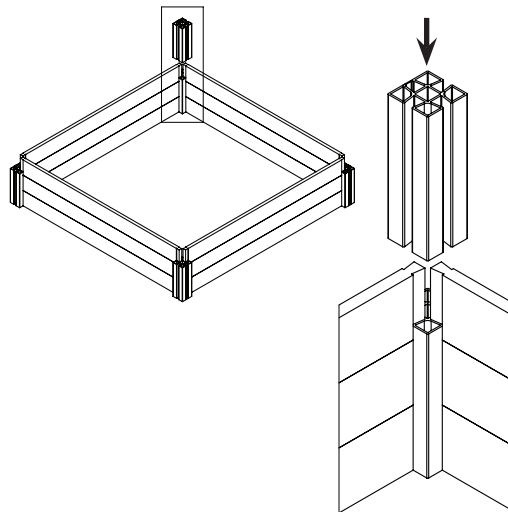


### To Stack

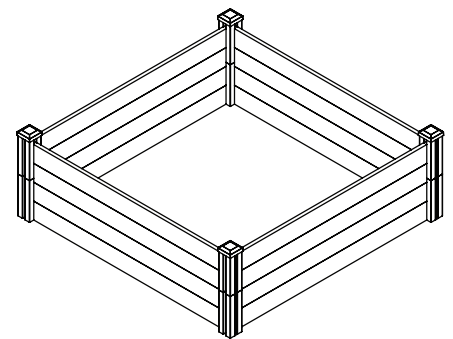
1. Slide a set of boards from a second kit into place on top of an assembled first kit.



2. Slide the corners into place



3. Insert the second set of boards and finish with caps.



THE DIAGRAMS AND INSTRUCTIONS IN THIS BROCHURE ARE FOR ILLUSTRATION PURPOSES ONLY AND ARE NOT MEANT TO REPLACE A LICENSED PROFESSIONAL. ANY CONSTRUCTION OR USE OF THE PRODUCT MUST BE IN ACCORDANCE WITH ALL LOCAL ZONING AND/OR BUILDING CODES. THE CONSUMER ASSUMES ALL RISKS AND LIABILITY ASSOCIATED WITH THE CONSTRUCTION OR USE OF THIS PRODUCT. THE CONSUMER OR CONTRACTOR SHOULD TAKE ALL NECESSARY STEPS TO ENSURE THE SAFETY OF EVERYONE INVOLVED IN THE PROJECT, INCLUDING, BUT NOT LIMITED TO, WEARING THE APPROPRIATE SAFETY EQUIPMENT. EXCEPT AS CONTAINED IN THE WRITTEN LIMITED WARRANTY, THE WARRANTOR DOES NOT PROVIDE ANY OTHER WARRANTY, EITHER EXPRESS OR IMPLIED, AND SHALL NOT BE LIABLE FOR ANY DAMAGES, INCLUDING CONSEQUENTIAL DAMAGES.

©2022 UFP Retail Solutions, LLC. Outdoor Essentials is a registered trademark of UFP Industries, Inc.  
All rights reserved. 2801 E. Beltline NE, Grand Rapids, MI 49525 13999\_1/22

[OutdoorEssentialProducts.com](http://OutdoorEssentialProducts.com)