

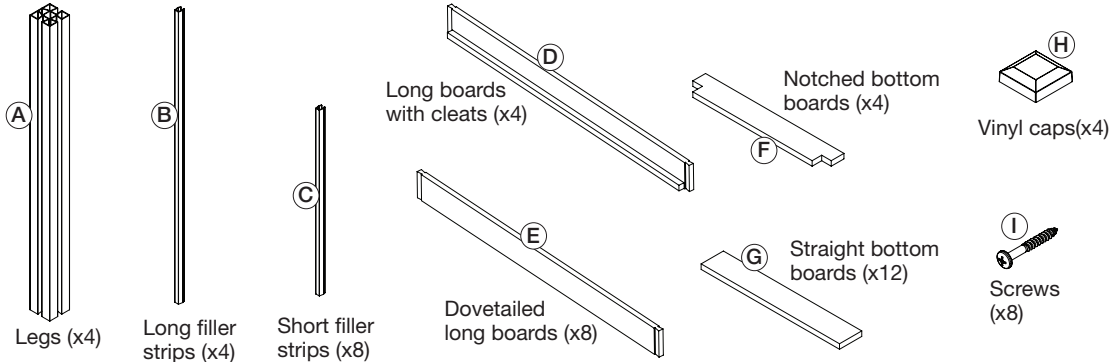


OUTDOOR
ESSENTIALS®

HAVEN RUSTIC 4X4 ELEVATED GARDEN PLANTER ASSEMBLY INSTRUCTIONS

ACTUAL SIZE: 45-1/2 in. L x 45-1/2 in. W x 31-3/4 in. H

Parts List

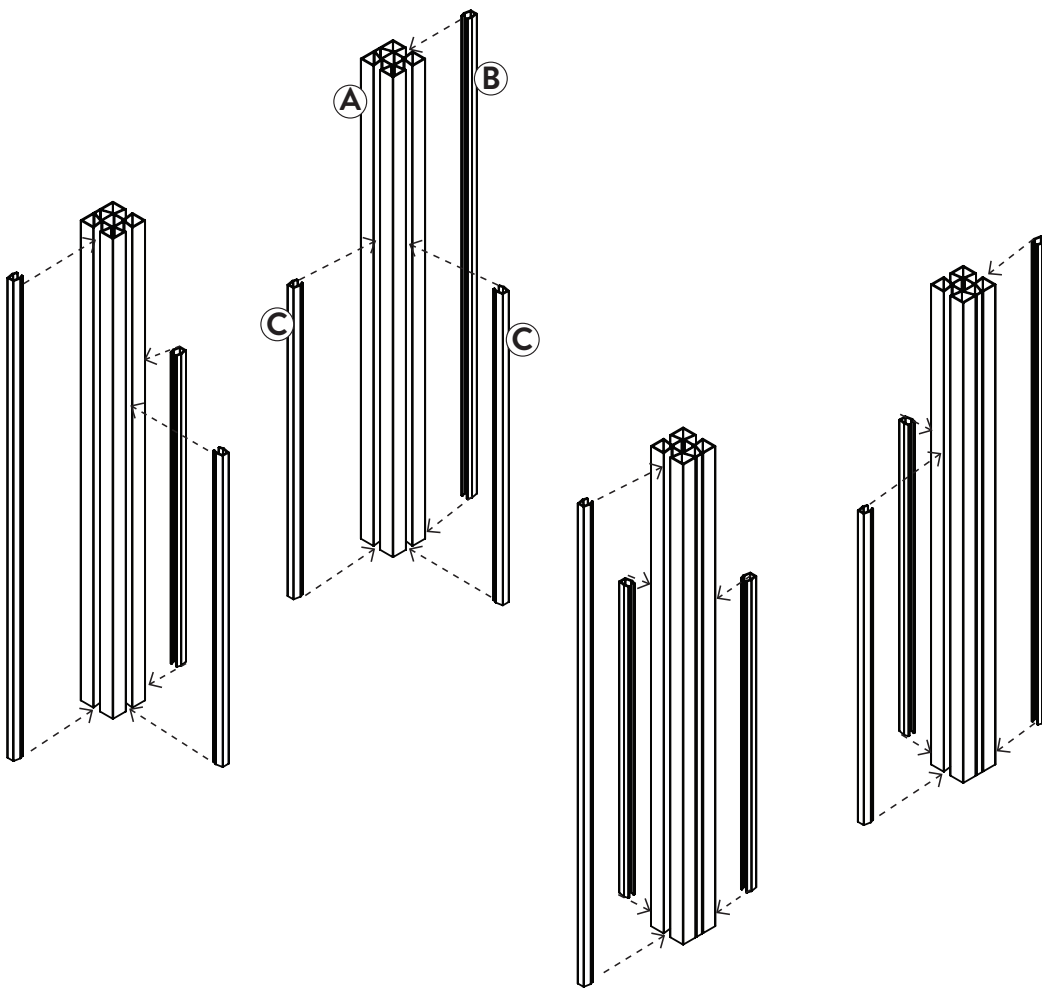


RECOMMENDED ITEMS:

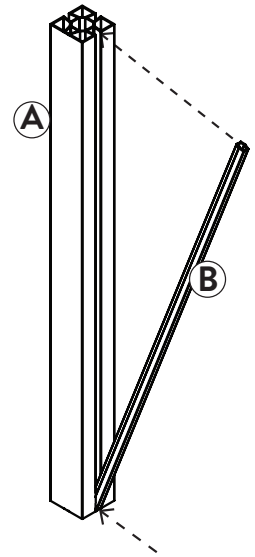
- Work gloves
- Safety glasses
- Landscape fabric
- Rubber mallet
- Power drill with Phillips bit

Assembly

1a Snap filler strips (B/C) into legs. Short filler strips (C) should face each other.



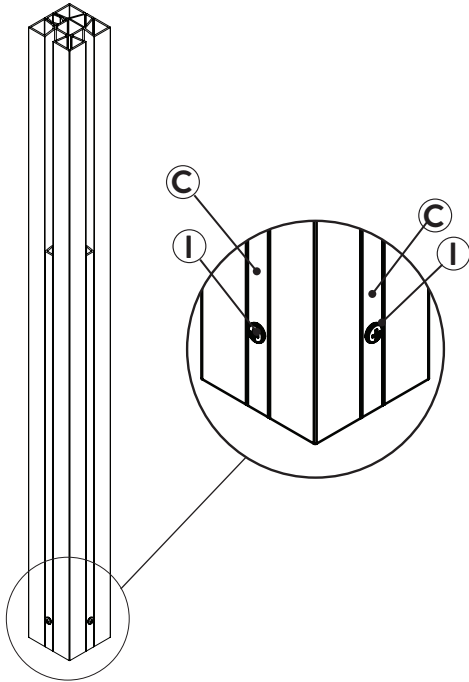
Tip: Begin by inserting the filler strip at one end and continue pressing in the filler strip as you continue up the post.



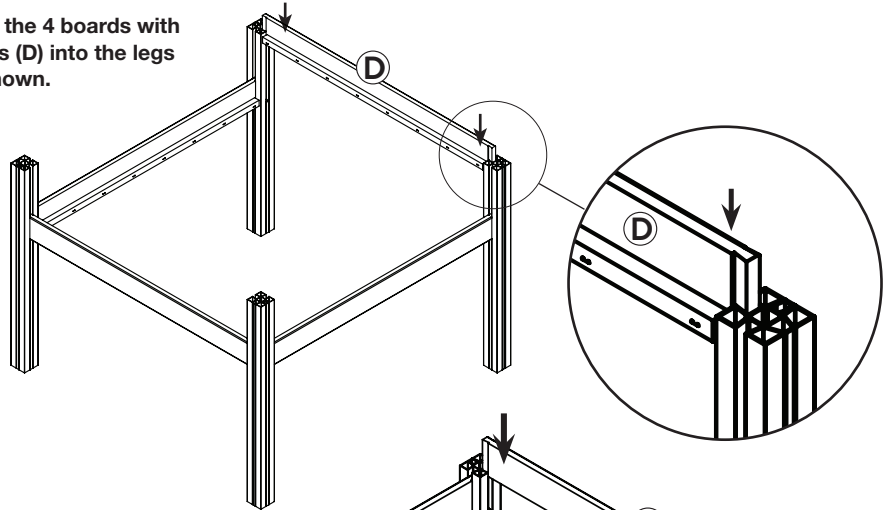


Assembly (continued)

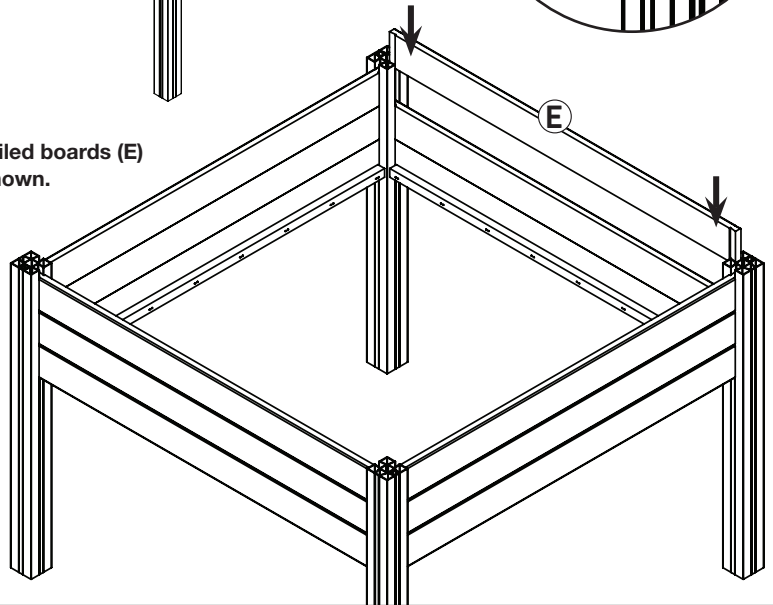
- 1b** If assembled planter will be placed on soft ground, drive a screw (I) through each of the 8 installed short filler strips (C).



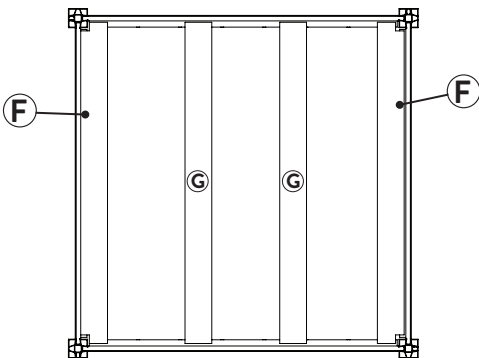
- 2** Slide the 4 boards with cleats (D) into the legs as shown.



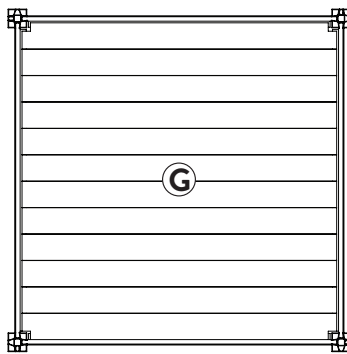
- 3** Slide 8 dovetailed boards (E) into legs as shown.



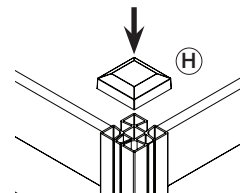
- 4** Place four bottom boards (F/G) on cleats for bracing as shown.



- 5** Place remaining bottoms boards (G) on the four bracing boards, perpendicular to the bracing boards. Note: Boards will have small gaps in between them to allow for drainage.



- 6** Push vinyl caps (H) onto legs.



TIPS:

- Place planter on level surface.
- Lay down landscape fabric (optional) prior to filling with soil.
- If planting consumables, an impermeable liner (not included) is required. Punch holes in bottom for draining.
- You'll need approximately 8.6 cubic feet of soil to fill the planter. Place soil evenly across the bed.

THE DIAGRAMS AND INSTRUCTIONS IN THIS BROCHURE ARE FOR ILLUSTRATION PURPOSES ONLY AND ARE NOT MEANT TO REPLACE A LICENSED PROFESSIONAL. ANY CONSTRUCTION OR USE OF THE PRODUCT MUST BE IN ACCORDANCE WITH ALL LOCAL ZONING AND/OR BUILDING CODES. THE CONSUMER ASSUMES ALL RISKS AND LIABILITY ASSOCIATED WITH THE CONSTRUCTION OR USE OF THIS PRODUCT. THE CONSUMER OR CONTRACTOR SHOULD TAKE ALL NECESSARY STEPS TO ENSURE THE SAFETY OF EVERYONE INVOLVED IN THE PROJECT, INCLUDING, BUT NOT LIMITED TO, WEARING THE APPROPRIATE SAFETY EQUIPMENT. EXCEPT AS CONTAINED IN THE WRITTEN LIMITED WARRANTY, THE WARRANTOR DOES NOT PROVIDE ANY OTHER WARRANTY, EITHER EXPRESS OR IMPLIED, AND SHALL NOT BE LIABLE FOR ANY DAMAGES, INCLUDING CONSEQUENTIAL DAMAGES.