



Kit contents

- 13 - 1" x 6"- 72" moulded pickets (Actual 3/4" x 5-3/8"- 72")
- 3 - 2" x 4"- 72" backer rails (Actual 1-3/8" x 3-3/8"- 72")
- Fasteners*

This kit includes enough pickets and fasteners to build one privacy panel. You need one additional picket per panel to build a Shadowbox style. Matching picket packs are available, sold separately.

Preparation

Check local ordinances and regulations before building your fence. Before construction, contact your local utility companies to mark any underground cables and pipelines. In addition, it is a good idea to discuss plans with any neighbors along your proposed fence line.

Items you may need

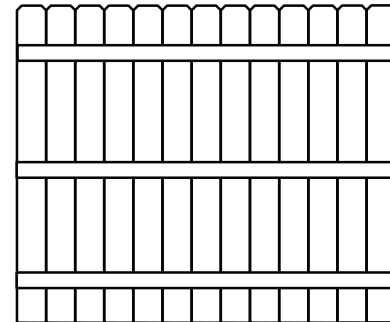
- Power saw
- Hammer
- Level
- Posthole digger
- Power drill
- Tape measure
- Carpenter's pencil
- Safety glasses
- Gloves
- String
- Grade stakes
- Concrete and gravel
- 2x4 bracing posts
- Extra pickets and fasteners to create a Shadowbox panel
- Fence post**

*Recommended fasteners are hot-dip galvanized screws or other fasteners manufactured for treated wood as required by building code.

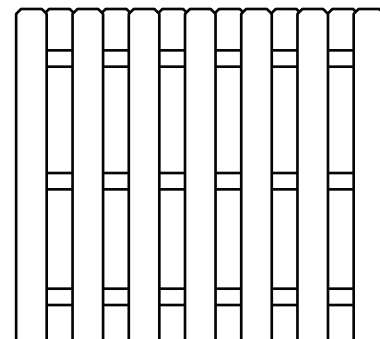
**One per panel and one to complete fence run.

Design and layout

- Privacy fence panel: Allows for complete privacy. Use to surround swimming pools, define property lines or shield unattractive areas.
- Shadowbox fence panel: Ideal "good neighbor" fence features the same look on both sides. This style has the look of a privacy panel but allows for more air circulation.
- Determine the number of posts, panels and gates needed to complete the job based on the total linear footage. Take into consideration post, panel and gate widths when determining the total number (one post per kit plus one to finish the fence run).
- Adjust layout to accommodate as many full panels as possible. If you must use a partial panel, place it in the farthest rear corner of the property.
- Locate property boundaries and drive stakes into the ground at corners and ends of fence line, based on local municipality regulations.
- Stretch twine or heavy string between stakes and pull tight to mark layout of fence line.
- Be sure to measure your fence panels and gates prior to determining the location of the postholes. Also, take into consideration your chosen method of attaching the backer rails to the posts (see "Connecting backer rails to posts" section). Locate post placement in the following order along string line:
 - End/corner posts
 - Gate posts
 - Line posts



Privacy fence panel



Shadowbox fence panel

PRIVACY AND SHADOWBOX FENCE INSTALLATION INSTRUCTIONS, CONTINUED

Installing fences on sloped landscapes

Fences are installed on slopes using one of two methods (figs. 1a and 1b). The step method gradually steps up the slope with the rails level, rather than parallel, to the slope. With loose components, you have the option to use the parallel method. The top and bottom rails are installed based on the degree of the slope.

Digging postholes

A general rule of thumb is to place 1/3 of the post into the ground. Check local regulations for any special requirements. The fence will be stronger if end, corner and gate posts are set at least 6" deeper than line posts. Using a posthole digger or power auger, dig the holes 10-12" wide and 6" deeper than needed. Backfill the holes with 6" of gravel to drain water away from the bottom of the posts (fig. 2). Keep the height of your fence panels in mind when digging your postholes.

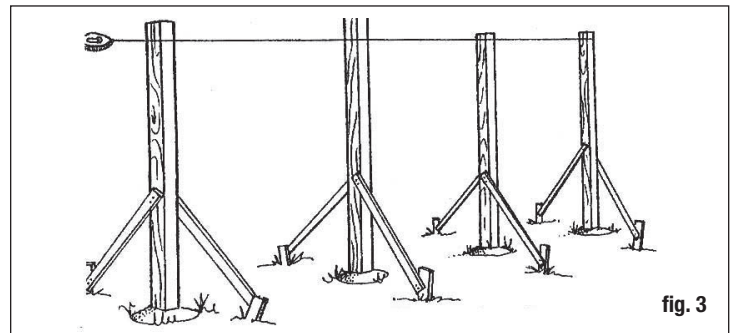
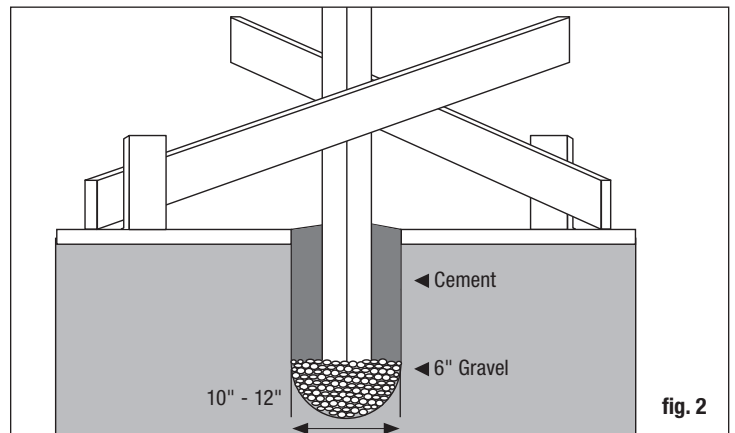
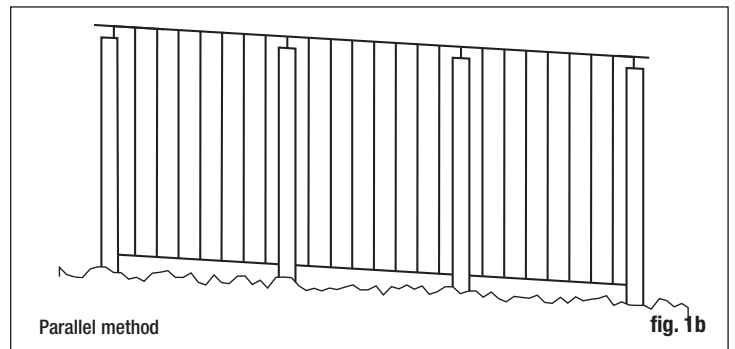
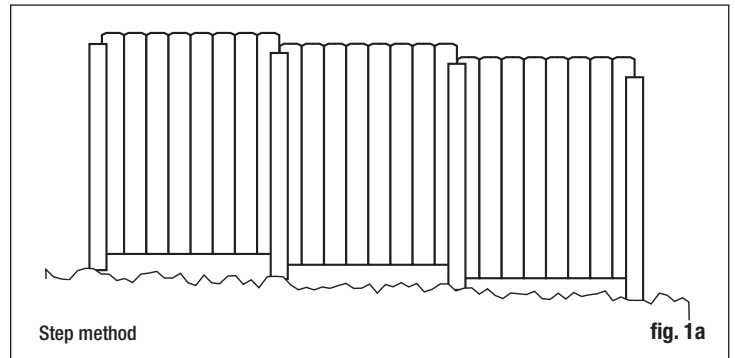
Setting posts

Install end and corner posts first. Tie a string between the posts along the fence line. This establishes a reference, ensuring the posts are properly aligned (fig. 3).

Brace the posts using 2x4s nailed to both the posts and stakes in the ground. This will keep them straight while the concrete sets. Check for plumb (90° angle) on two adjacent sides prior to pouring concrete. Fill hole with ready-mix concrete, following the package instructions. Tamp the concrete to remove any air pockets. Overfill the holes at the top and slope the concrete away from the post to keep water from pooling. Recheck plumb and alignment of all posts and allow concrete to cure for 24 to 48 hours (or a timeframe established in the manufacturer's instructions).

Cutting posts to proper heights

An easy method to ensure your post tops are level is to run a string from corner post to corner post at the desired height, keeping the string taut (fig. 3). Mark each post at the string line and cut off the tops of the posts. Finish off your posts with optional decorative finial tops or post caps.



PRIVACY AND SHADOWBOX FENCE INSTALLATION INSTRUCTIONS, CONTINUED

Connecting backer rails to posts

- There are several ways to attach the backer rails to the posts (fig. 4). Face nailed is the recommended method of attachment.
- Suggested positions for backer rails: starting from the ground, measure 9-1/2", 34" and 62" (fig. 5). Mark these points.
- Place the bottom of the rails at these marks. Your finished product will be much more appealing if proper attention is given to this detail.

Panel construction

- To install pickets to backer rails, use the provided fasteners. Position pickets a recommended 2" above the ground. Start at one end of the rail and check for plumb every three or four pickets. If you wish to build a solid privacy fence, abut the pickets without leaving a gap between them (fig. 5).
- **To build a Shadowbox fence** – Start at the end of the rail and alternate pickets on both sides of the fence. A recommended spacing between moulded pickets is 4-7/8". Use a level to check for plumb every few pickets (fig. 6).

Gate installation

- Determine desired swing direction of the gate (left- or right-hand option).
- Mount hinge hardware to gate frame at the proper height, predrilling all the screw holes.
- Mount gate to gate posts, predrilling all screw holes.
- Check for full gate swing clearance.
- Mount latch hardware, predrilling all screw holes.

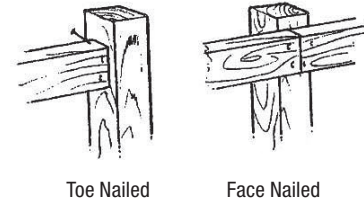


fig. 4

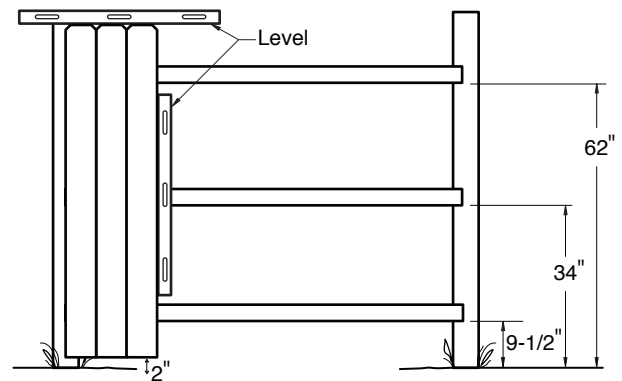


fig. 5

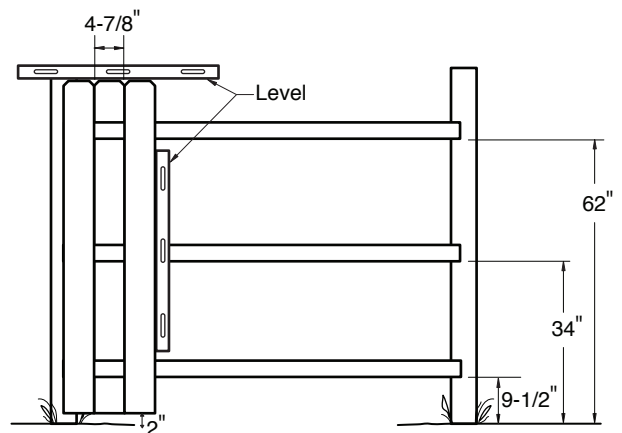


fig. 6

PRIVACY AND SHADOWBOX FENCE INSTALLATION INSTRUCTIONS, CONTINUED

Finishing your fence

Applying a protective finish is recommended to prolong the life of your fence. The type of finish will be determined by the look desired, as well as the species of wood used.

There are three finished treatment options: stain, paint or waterproofing sealer. Clean your fence with a cleaner/brightener that contains a mildewcide prior to applying your finish.

- **Stain** – provides a durable finish coat while maintaining the natural look of wood. A semitransparent stain is recommended for new fences. It gives an even appearance and a hint of color while allowing the grain to show through.
- **Paint** – adds color as it protects and seals the fence. The color can easily be coordinated with your home. Clean, dry and prime with oil-based primer prior to painting the fence. A durable exterior latex paint is recommended.
- **Waterproofing sealer** – best for woods that are not naturally resistant to decay and exposure to weather. The sealer helps prevent rain and moisture from soaking into the wood. Add a UV stabilizer to slow discoloration.

Care and maintenance

COMMON MAINTENANCE CONCERNS

The continuous changes in weather conditions are extremely harsh on your fence. Your maintenance plan must be geared to combat the problems caused by water absorption and water loss, mildew growth, and discoloration of wood due to the sun's ultraviolet rays. All of the maintenance concerns discussed below are weather-related. The degree to which your fence is affected by them depends on many factors. These factors include general climate conditions (such as normal precipitation, humidity, etc.) and location in your yard (with regard to direct sun exposure, foliage coverage, etc.). If your fence is built using pressure-treated lumber, it is important to note that the pressure treatment does not increase the likelihood that your fence will develop these natural defects to any greater degree than the same material left untreated. These weather-related defects are beyond the control of the pressure treatment process.

NATURAL CHARACTERISTICS OF WOOD

We cannot control the occurrence of the natural characteristics of the wood, which may include raised grain, splitting, warping, shrinking, swelling or twisting. Continuous water absorption and water loss in the wood used for your fence will cause its natural defects to surface. A well-maintained fence will still experience some of these natural defects. However, the extent can be significantly reduced through a maintenance plan.

To effectively combat these maintenance concerns, it will be up to you to follow a preventative maintenance plan.

Your initial maintenance plan should be determined by water absorption and loss, mildew growth and UV discoloration.

- **First-year maintenance:** Reapply cleaner/brightener as described in initial maintenance, and as called for by the finish of your choice (paint, stain or waterproofing sealer).
- **Future periodic preventative maintenance:** Depending on the location of your fence with regard to direct sun exposure, foliage, coverage, etc., it may be sufficient to clean/brighten and recoat every two years. A power washer may be necessary to properly clean your fence.

THE DIAGRAMS AND INSTRUCTIONS IN THIS BROCHURE ARE FOR ILLUSTRATION PURPOSES ONLY AND ARE NOT MEANT TO REPLACE A LICENSED PROFESSIONAL. ANY CONSTRUCTION OR USE OF THE PRODUCT MUST BE IN ACCORDANCE WITH ALL LOCAL ZONING AND/OR BUILDING CODES. THE CONSUMER ASSUMES ALL RISKS AND LIABILITY ASSOCIATED WITH THE CONSTRUCTION OR USE OF THIS PRODUCT. THE CONSUMER OR CONTRACTOR SHOULD TAKE ALL NECESSARY STEPS TO ENSURE THE SAFETY OF EVERYONE INVOLVED IN THE PROJECT, INCLUDING, BUT NOT LIMITED TO, WEARING THE APPROPRIATE SAFETY EQUIPMENT. EXCEPT AS CONTAINED IN THE WRITTEN LIMITED WARRANTY, THE WARRANTOR DOES NOT PROVIDE ANY OTHER WARRANTY, EITHER EXPRESS OR IMPLIED, AND SHALL NOT BE LIABLE FOR ANY DAMAGES, INCLUDING CONSEQUENTIAL DAMAGES.