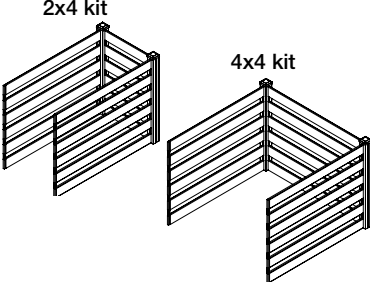



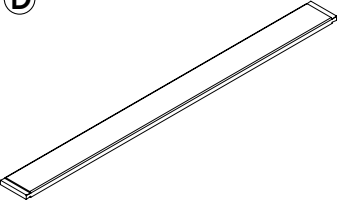
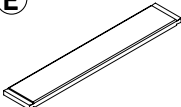






HAVEN 2X4 AND 4X4 CEDAR COMPOST BIN EXPANSION KIT – ASSEMBLY INSTRUCTIONS

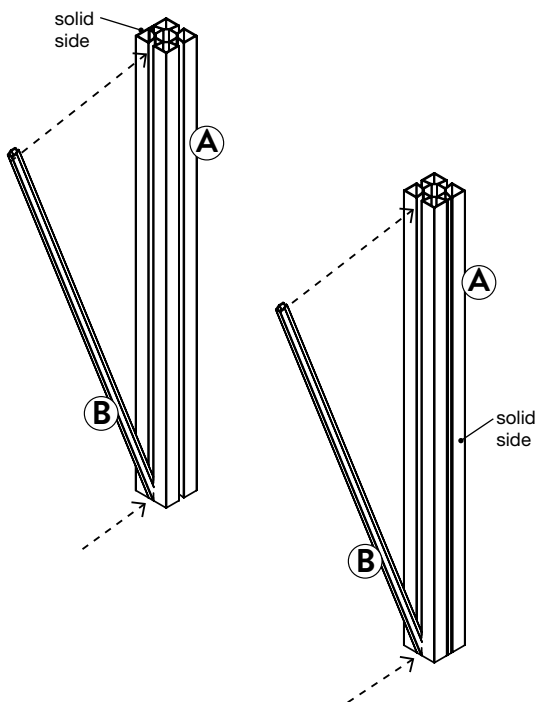
Parts List

 <p>2x4 kit</p> <p>4x4 kit</p>	 <p>A</p> <p>Corner Posts</p>	 <p>B</p> <p>Long Filler Strips</p>	 <p>C</p> <p>Short Filler Strips</p>	 <p>D</p> <p>Long Boards</p>	 <p>E</p> <p>Short Boards</p>	 <p>F</p> <p>Post Caps</p>
<p>2X4 KIT</p> <p>44 in. L x 24-1/2 in. W x 32-1/2 in. H</p>	x2	x2	x30	x12	x6	x2
<p>4X4 KIT</p> <p>46 in. L x 44 in. W x 32-1/2 in. H</p>	x2	x2	x30	x18	N/A	x2
<p>ADDITIONAL ITEMS YOU MAY NEED</p>				<p>Scan here to view our assembly video.</p> 		
<ul style="list-style-type: none"> • Work gloves or gardening gloves • Rubber mallet 						

ASSEMBLY

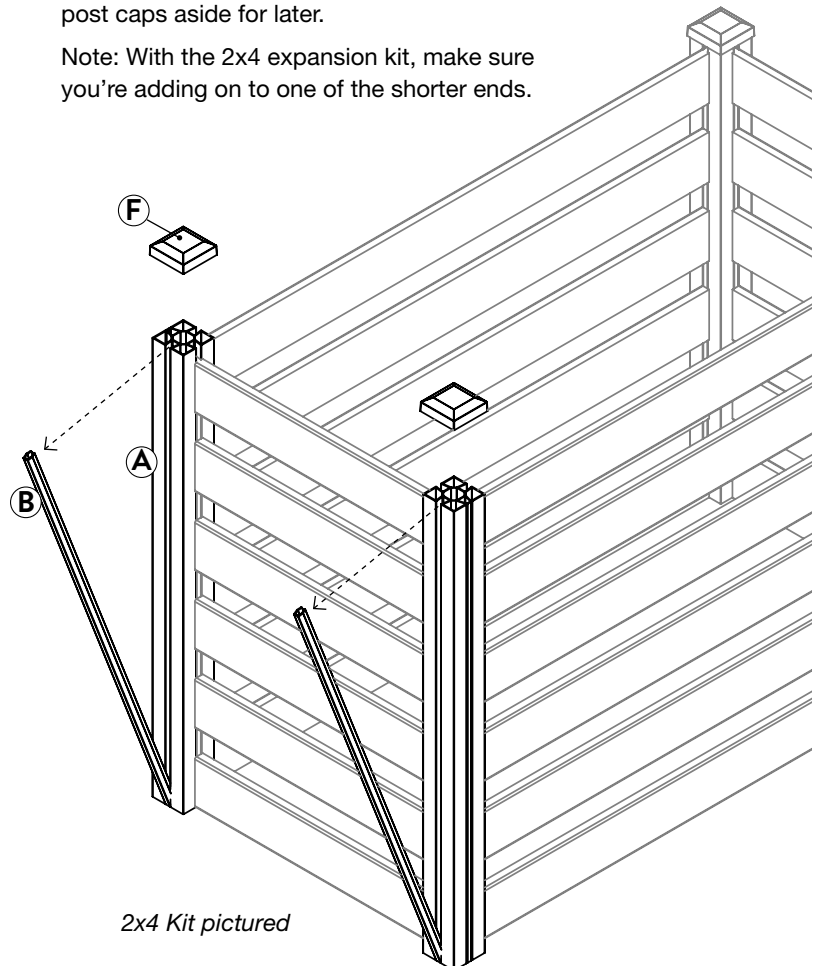
- 1 Insert 2 long filler strips (B) into the open grooves of the 2 corner posts (A) from the kit. Be sure they are adjacent to the solid sides of the posts.

Tip: Begin by inserting the filler strip at one end and continue pressing in the filler strip as you continue up the post.



- 2 Remove 2 post caps (F) and 2 long filler strips (B) from two corner posts (A) of the original bin as shown. Set the post caps aside for later.

Note: With the 2x4 expansion kit, make sure you're adding on to one of the shorter ends.



HAVEN 2X4 AND 4X4 CEDAR COMPOST BIN EXPANSION KITS

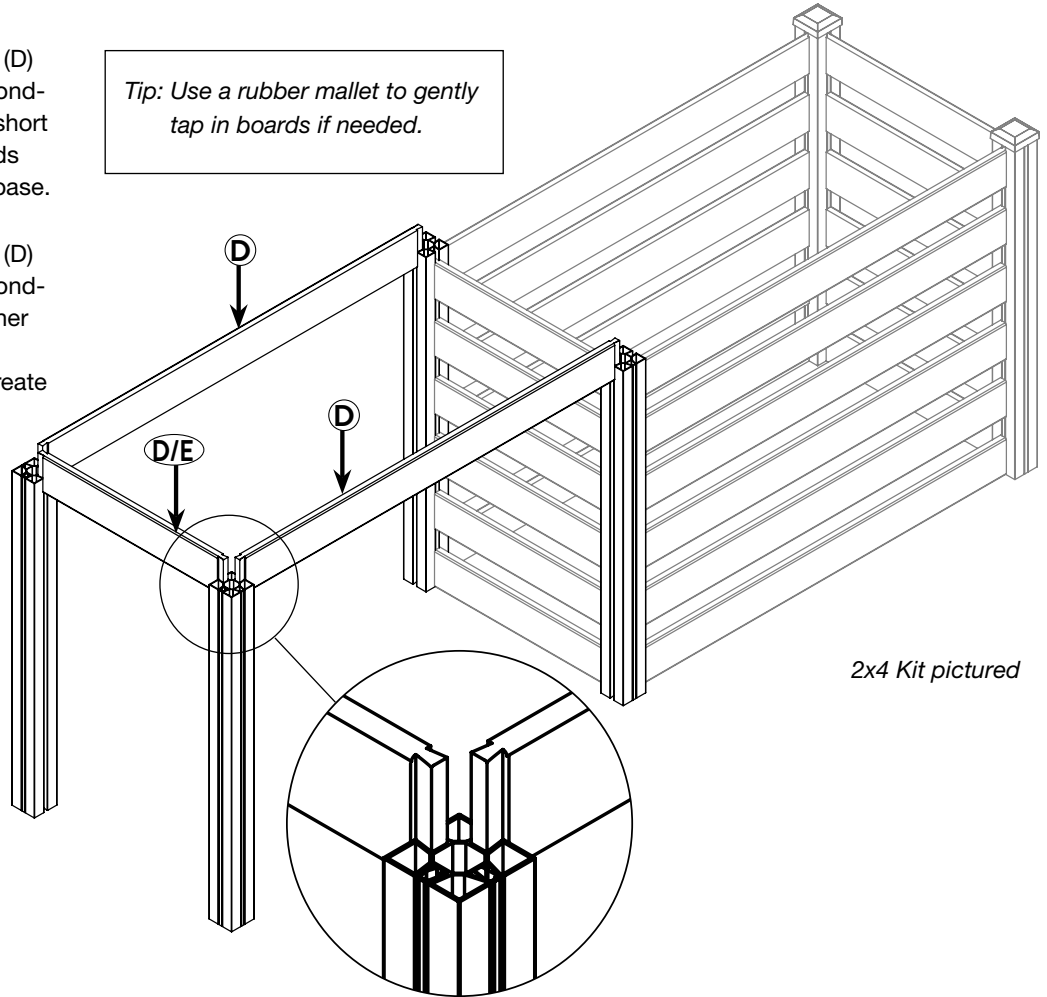
ASSEMBLY INSTRUCTIONS

ASSEMBLY – continued

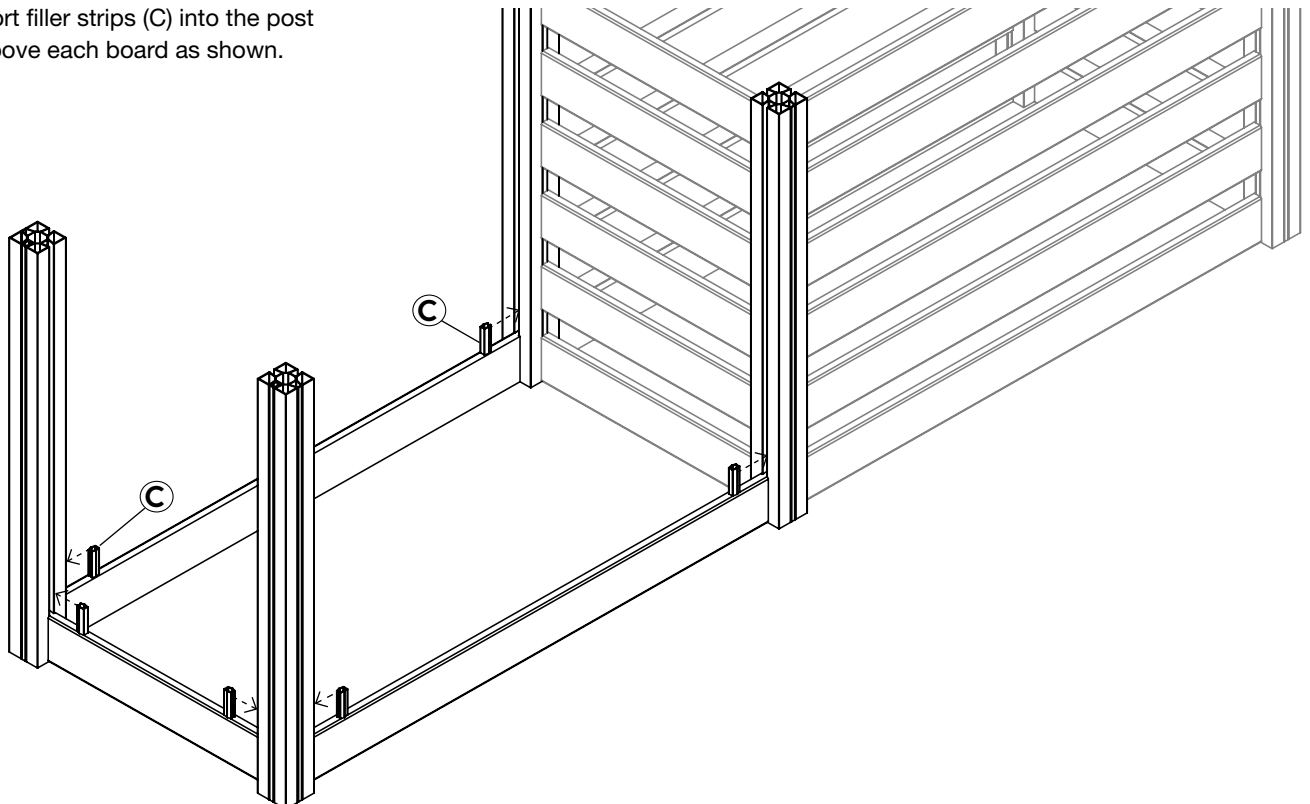
- 3** **2X4 KIT** - Slide two long boards (D) into the grooves of their corresponding corner posts and insert one short board (E) on the end. Push boards down to the bottom to create a base.

Tip: Use a rubber mallet to gently tap in boards if needed.

- 4X4 KIT** - Slide two long boards (D) into the grooves of their corresponding corner posts and insert another long board (D) on the end. Push boards down to the bottom to create a base.



- 4** Snap 6 short filler strips (C) into the post grooves above each board as shown.



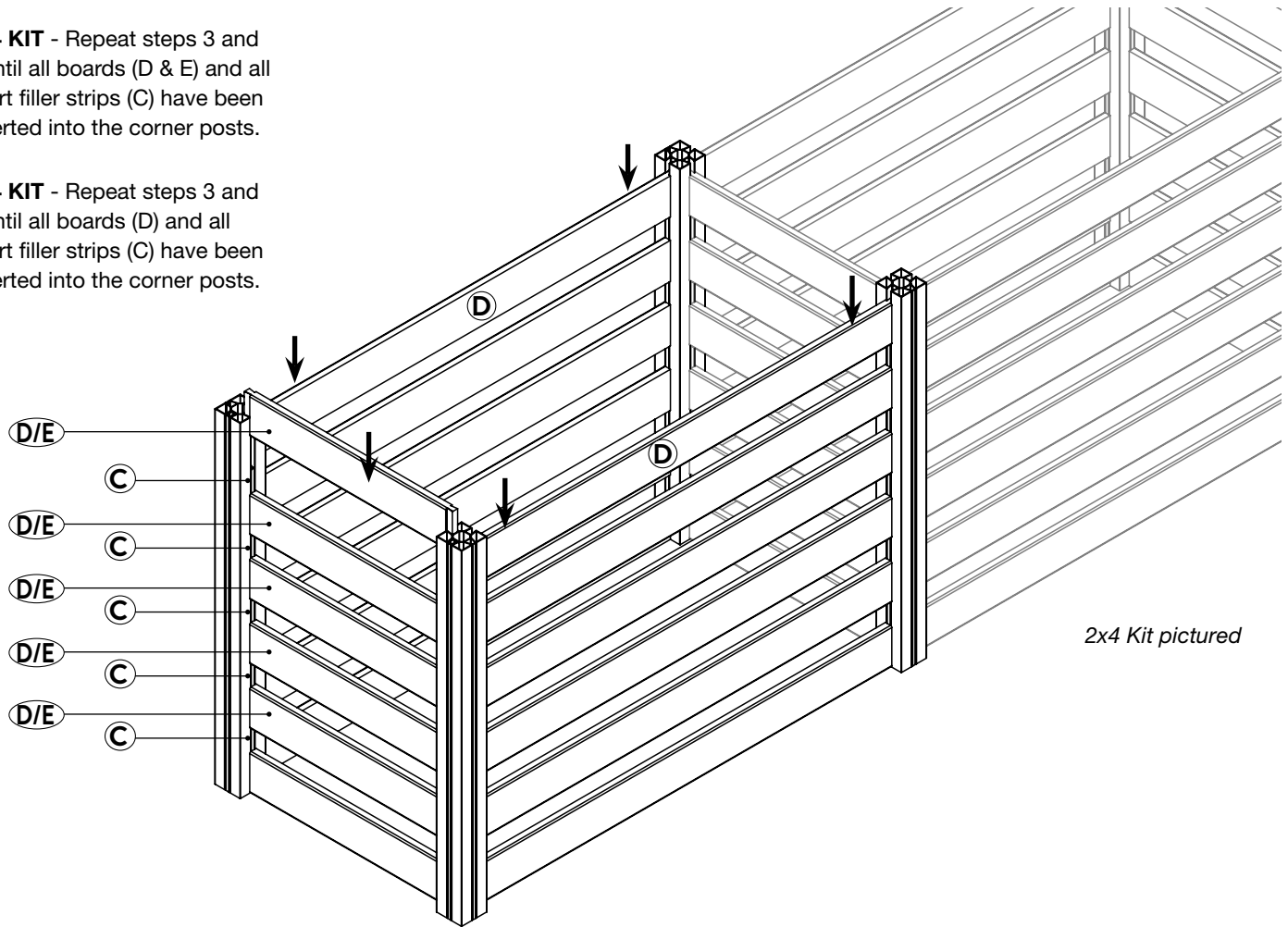
HAVEN 2X4 AND 4X4 CEDAR COMPOST BIN EXPANSION KITS

ASSEMBLY INSTRUCTIONS

ASSEMBLY – continued

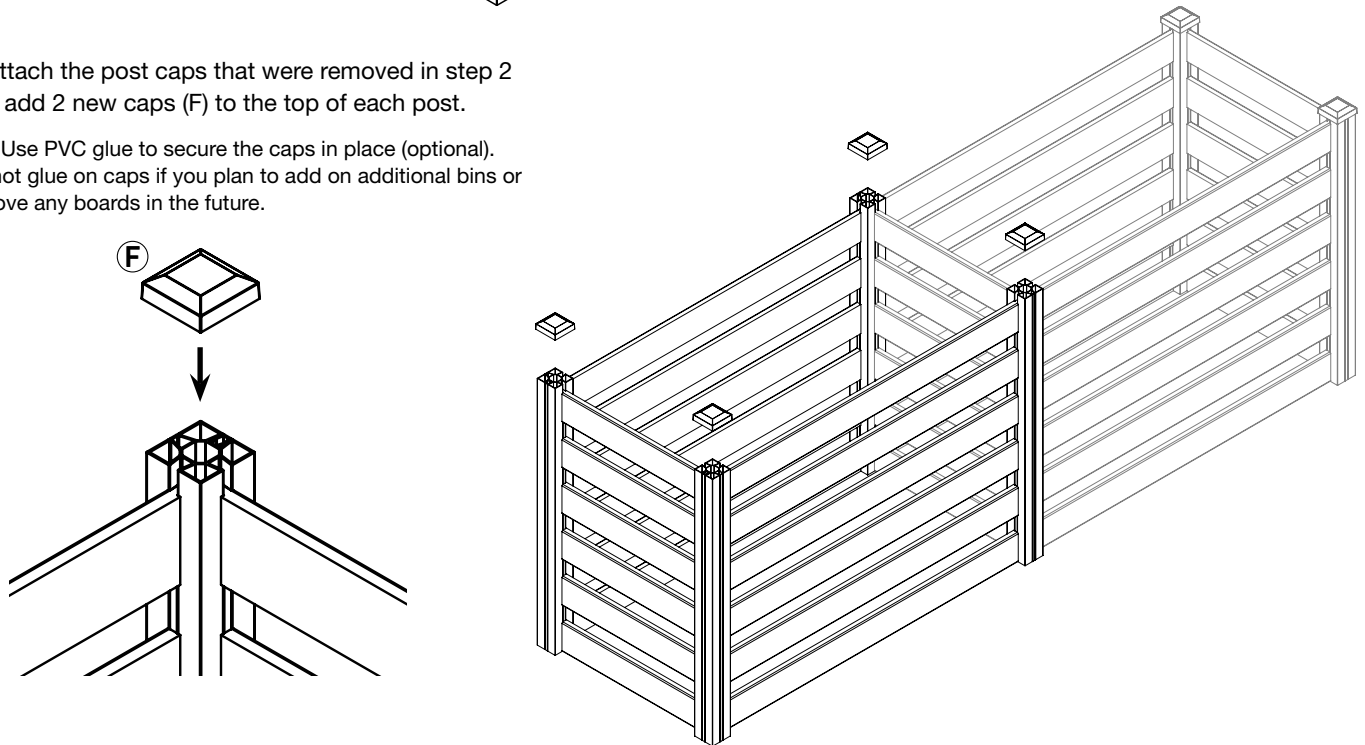
5 **2X4 KIT** - Repeat steps 3 and 4 until all boards (D & E) and all short filler strips (C) have been inserted into the corner posts.

4X4 KIT - Repeat steps 3 and 4 until all boards (D) and all short filler strips (C) have been inserted into the corner posts.



6 Reattach the post caps that were removed in step 2 and add 2 new caps (F) to the top of each post.

TIP: Use PVC glue to secure the caps in place (optional). Do not glue on caps if you plan to add on additional bins or remove any boards in the future.

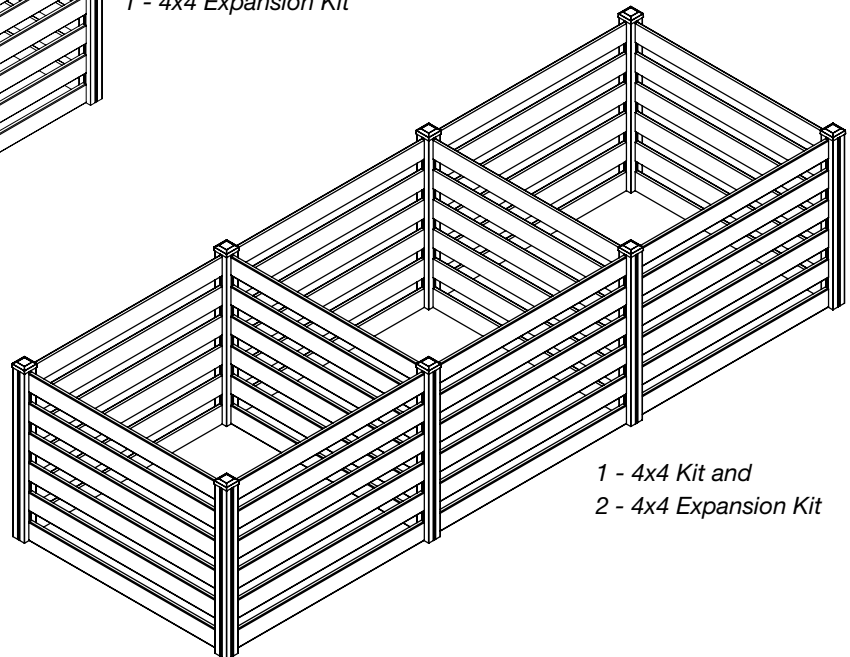
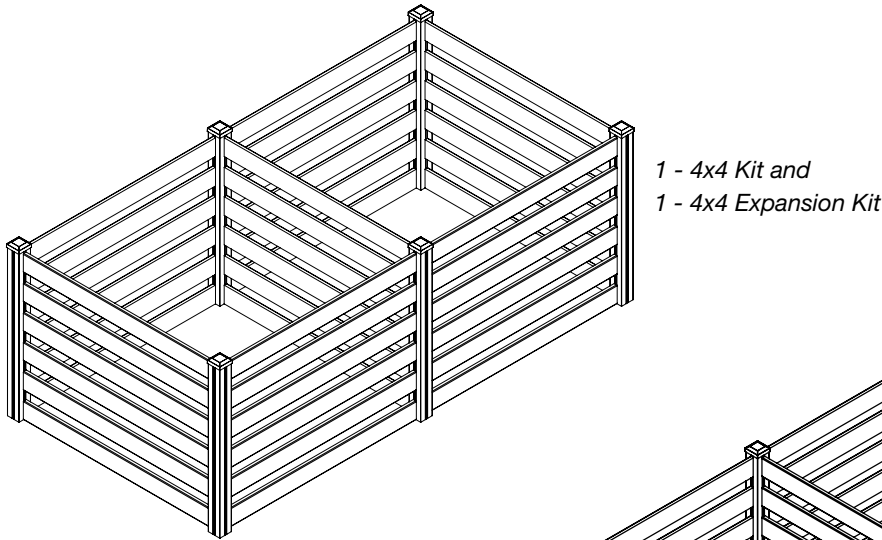
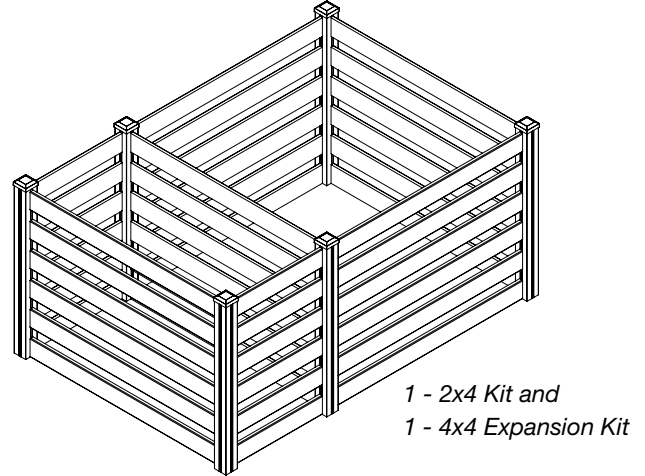
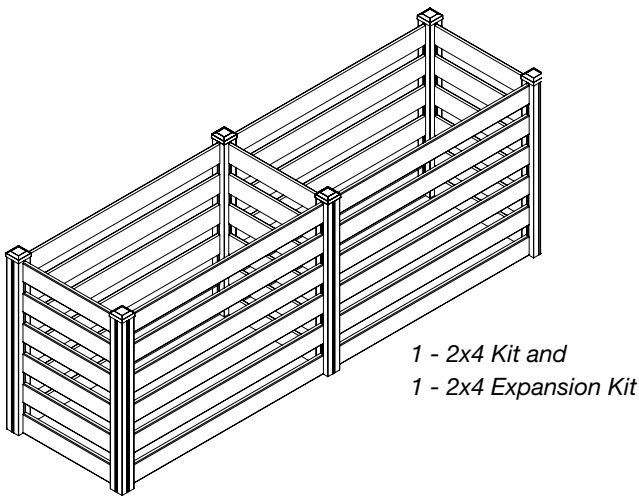


HAVEN 2X4 AND 4X4 CEDAR COMPOST BIN EXPANSION KITS

ASSEMBLY INSTRUCTIONS

COMPOST BIN CONFIGURATIONS

Combine kits based on your space and composting needs.



THE DIAGRAMS AND INSTRUCTIONS IN THIS BROCHURE ARE FOR ILLUSTRATION PURPOSES ONLY AND ARE NOT MEANT TO REPLACE A LICENSED PROFESSIONAL. ANY CONSTRUCTION OR USE OF THE PRODUCT MUST BE IN ACCORDANCE WITH ALL LOCAL ZONING AND/OR BUILDING CODES. THE CONSUMER ASSUMES ALL RISKS AND LIABILITY ASSOCIATED WITH THE CONSTRUCTION OR USE OF THIS PRODUCT. THE CONSUMER OR CONTRACTOR SHOULD TAKE ALL NECESSARY STEPS TO ENSURE THE SAFETY OF EVERYONE INVOLVED IN THE PROJECT, INCLUDING, BUT NOT LIMITED TO, WEARING THE APPROPRIATE SAFETY EQUIPMENT. EXCEPT AS CONTAINED IN THE WRITTEN LIMITED WARRANTY, THE WARRANTOR DOES NOT PROVIDE ANY OTHER WARRANTY, EITHER EXPRESS OR IMPLIED, AND SHALL NOT BE LIABLE FOR ANY DAMAGES, INCLUDING CONSEQUENTIAL DAMAGES.