

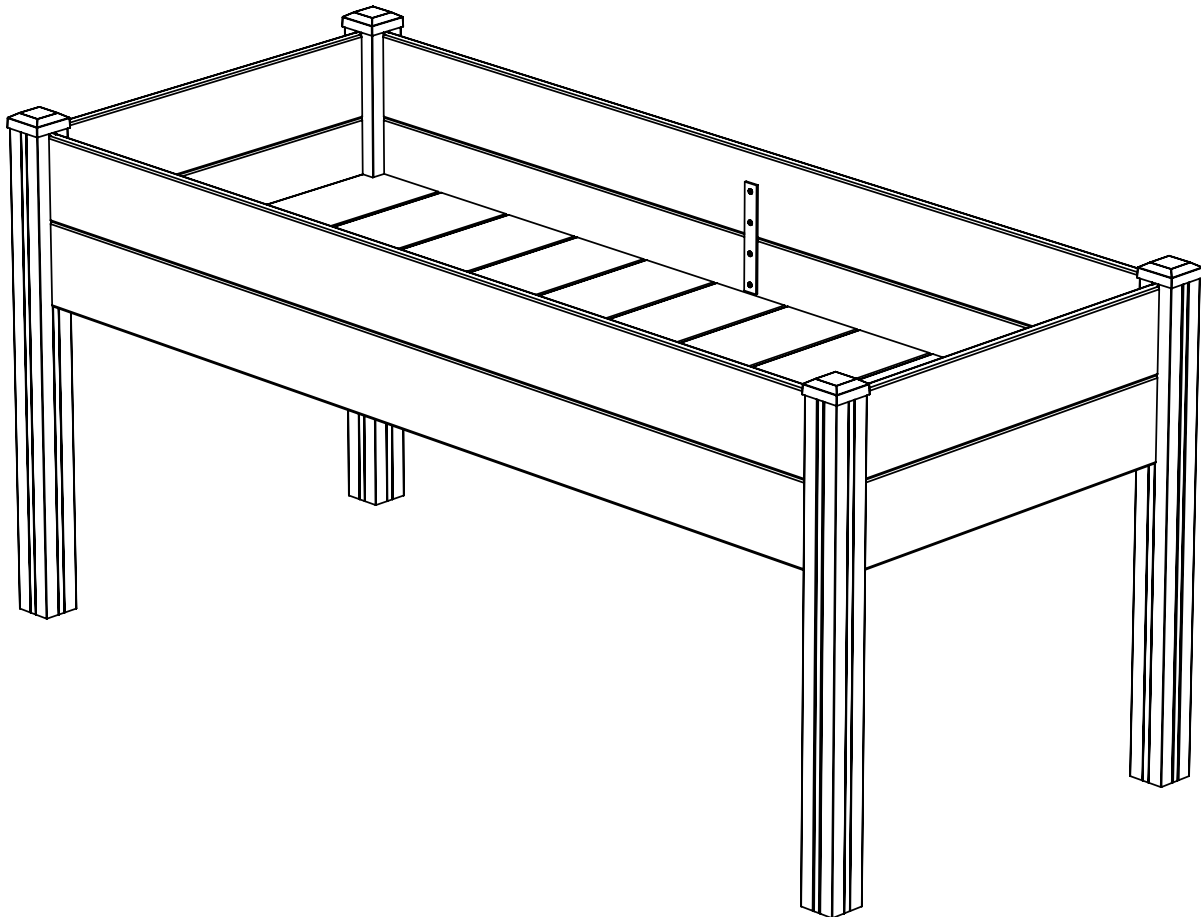


**OUTDOOR
ESSENTIALS®**

2x6 CULTIVAR ELEVATED GARDEN PLANTER ASSEMBLY INSTRUCTIONS

ASSEMBLED DIMENSIONS

69-3/4" L X 31" W X 32-1/2" H



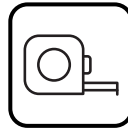
TOOLS YOU WILL NEED



POWER DRILL WITH
PHILLIPS BIT



RUBBER
MALLET



TAPE
MEASURE



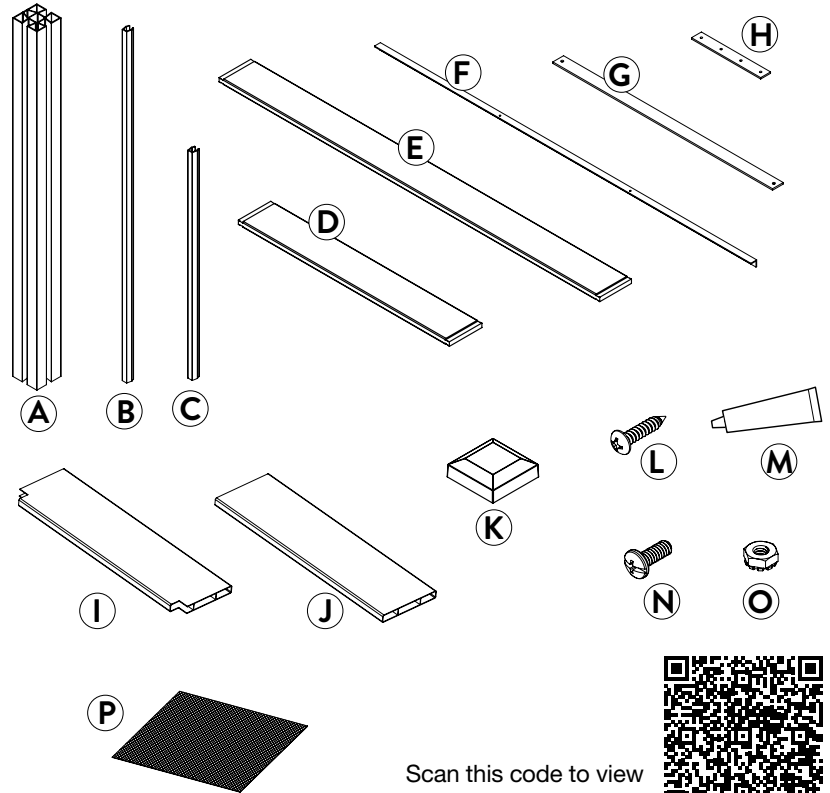
SCREWDRIVER

Questions? Call Customer Service:

1-844-529-5882

2x6 CULTIVAR ELEVATED PLANTER – COMPONENTS LIST

- A** 4 – Legs
- B** 4 – Long filler strips
- C** 8 – Short filler strips
- D** 4 – Short dovetailed composite boards
- E** 4 – Long dovetailed composite boards
- F** 2 – Aluminum cleats
- G** 2 – Aluminum braces
- H** 2 – Aluminum plates
- I** 2 – Notched bottom boards
- J** 9 – Straight bottom boards
- K** 4 – Post caps
- L** 30 – 3/4" Pan-head screws
- M** 1 – Vinyl Adhesive
- N** 4 – #10-24 Pan-head machine screws
- O** 4 – #10-24 Hex nuts with star-lock washers
- P** 1 – Landscape Liner



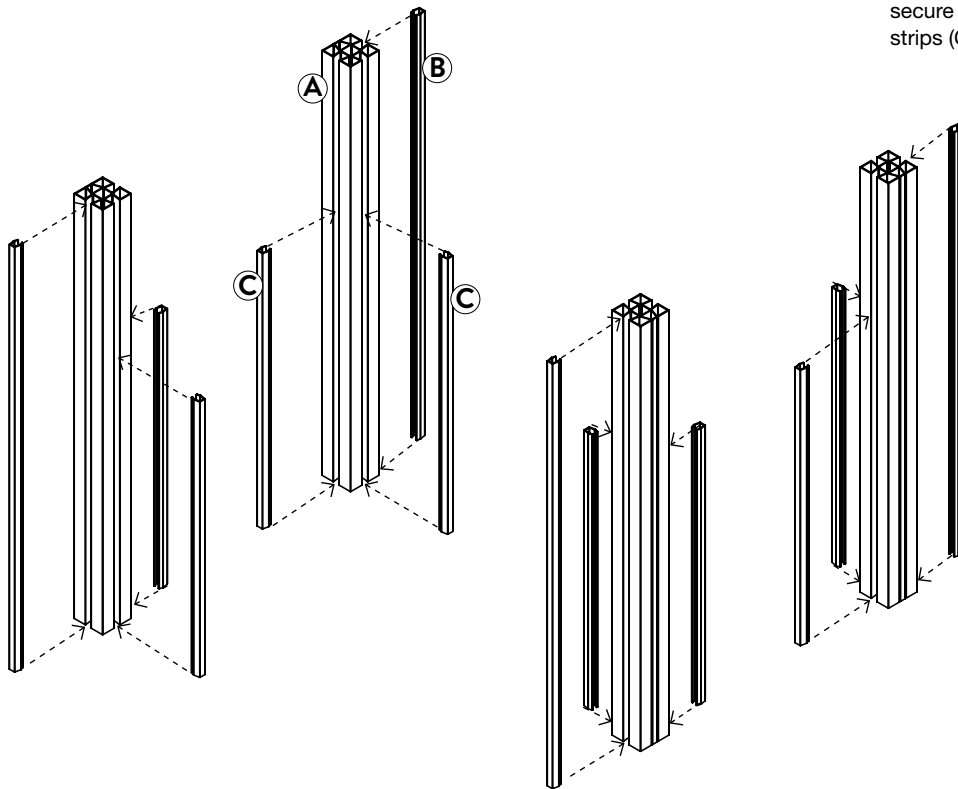
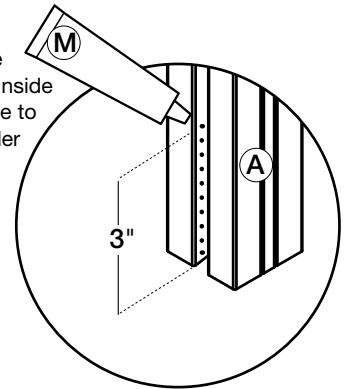
Scan this code to view our assembly video



Assembling the legs

1 Snap filler strips into the legs as shown. Long filler strips (B) should be placed next to the solid side of all 4 legs. Short filler strips (C) should be installed facing each other, using the vinyl adhesive (M). We recommend waiting at least 24 hours before adding soil to allow the adhesive to completely dry.

NOTE: Apply vinyl adhesive (M) to the bottom 3" of both inside edges of the groove to secure the short filler strips (C) in place.

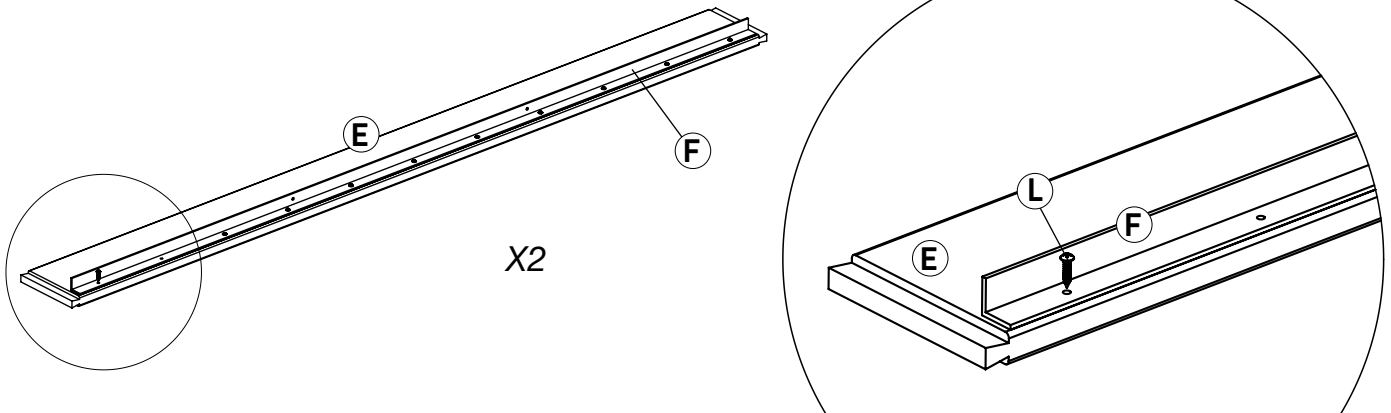


TIP: Begin by inserting the filler strip at one end and continue pressing in the filler strip as you continue up the leg.

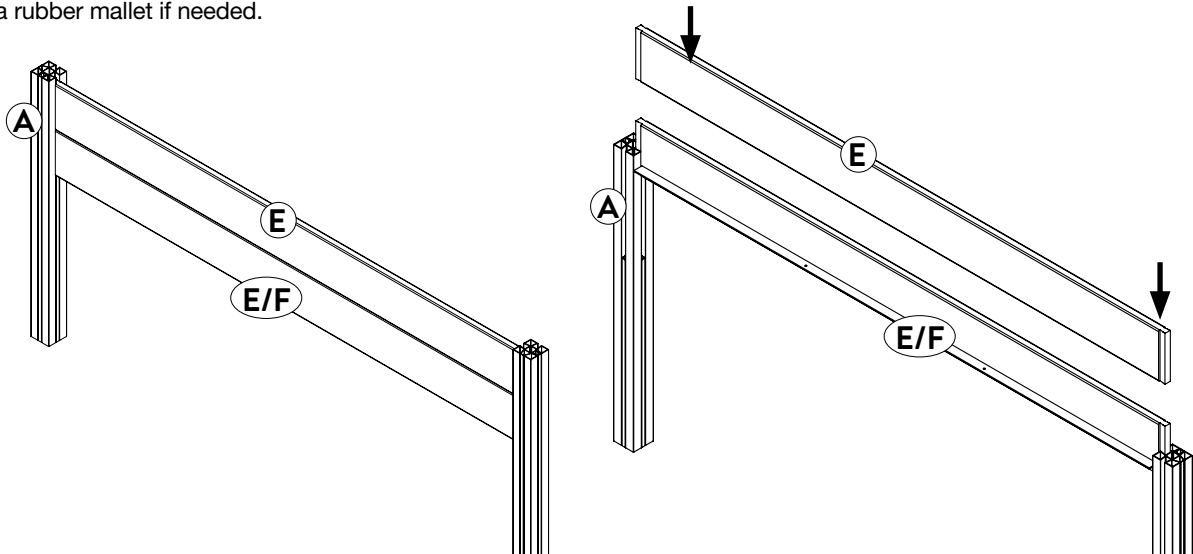
2x6 CULTIVAR ELEVATED PLANTER – ASSEMBLY INSTRUCTIONS

Assembling the long sides

- 2** Position one cleat (F) onto one long dovetailed board (E), ensuring it is flush and centered along the bottom edge. Attach with 11 – pan-head screws (L). Repeat these steps with second cleat and board.

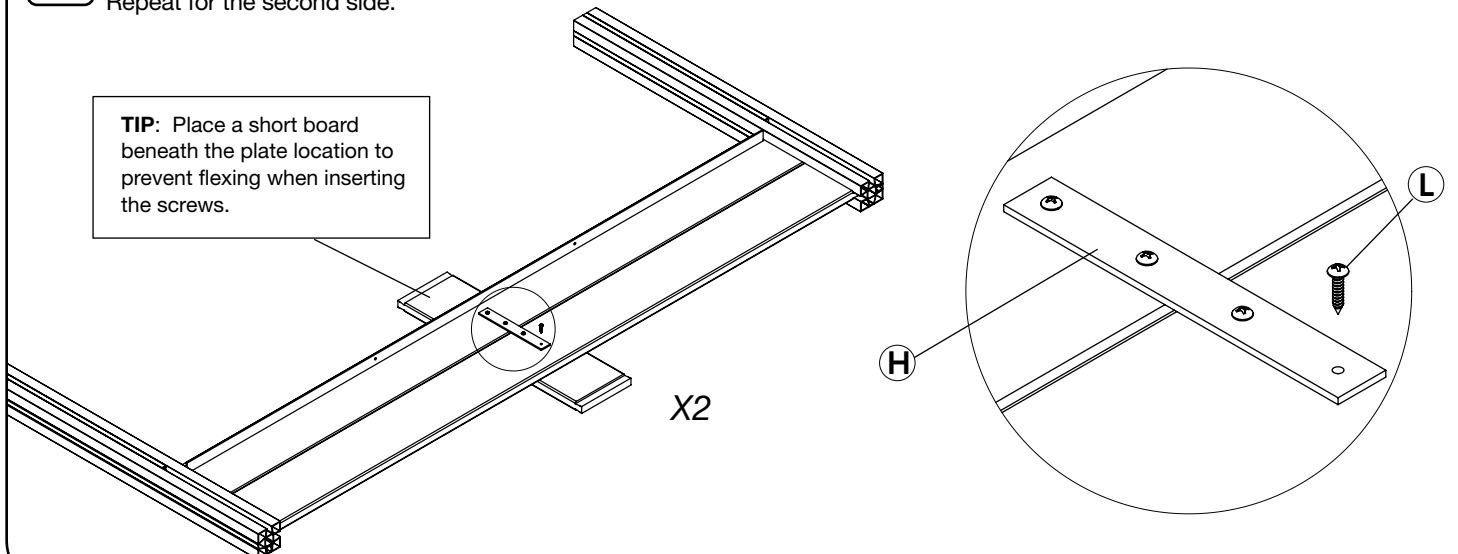


- 3** Slide the long board with attached cleat (E/F) and a one long board (E) into the legs (A). Repeat for second side. Use a rubber mallet if needed.



- 4** Place the aluminum plate (H) in the middle of the two side boards (same side as the cleat) and attach with pan-head screws (L). Repeat for the second side.

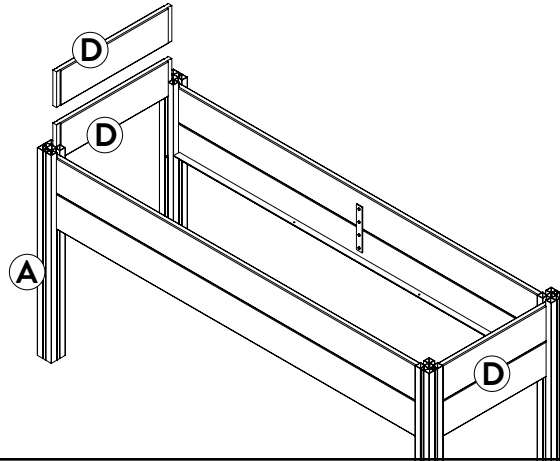
TIP: Place a short board beneath the plate location to prevent flexing when inserting the screws.



2x6 CULTIVAR ELEVATED PLANTER – ASSEMBLY INSTRUCTIONS continued

Adding the short boards

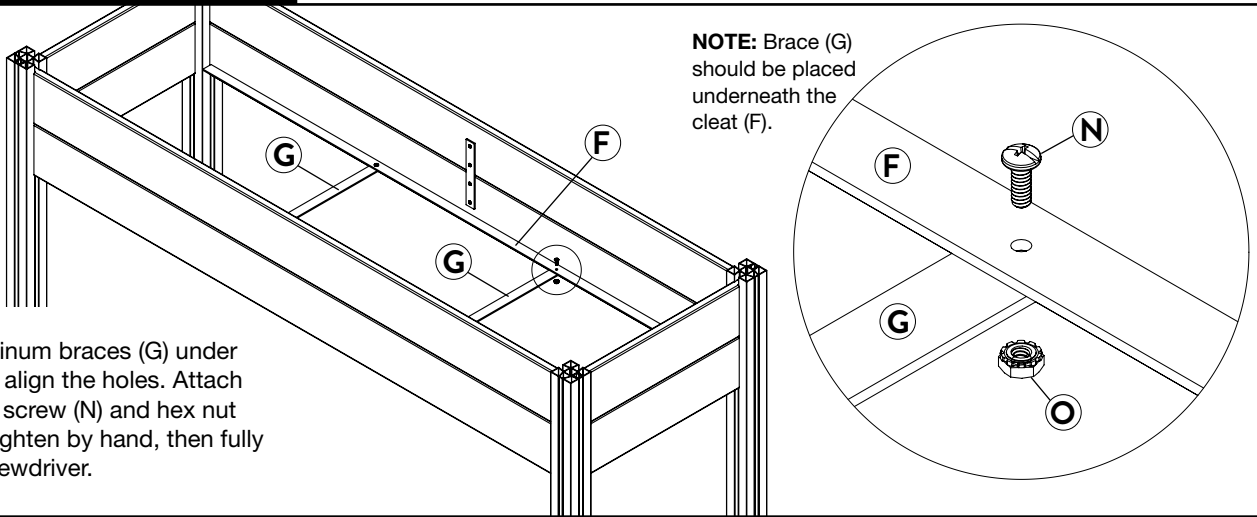
- 5** Slide the short dovetailed boards (D) into the legs (A) as shown. Use a rubber mallet if needed.



Attaching the braces

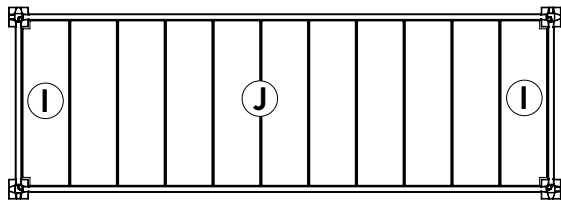
- 6** Position the aluminum braces (G) under the cleats (F) and align the holes. Attach with the machine screw (N) and hex nut (O). Thread and tighten by hand, then fully tighten with a screwdriver.

NOTE: Brace (G) should be placed underneath the cleat (F).



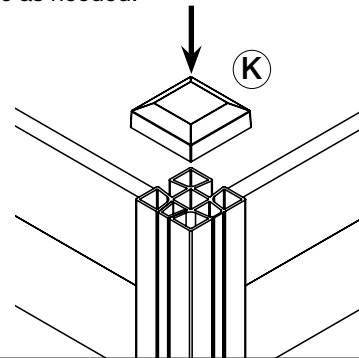
Finishing touches

- 7** Place the bottom boards (I & J) on the cleats as shown to complete the planter floor.



- Place planter on level, solid ground.
- You will need approximately 10 cubic feet of soil to fill the planter.

- 8** Push the post caps onto the tops of the legs to complete the planter. Before adding soil, place the landscape liner (P) inside, covering all sides of the planter. Remove or tuck in extra fabric as needed.



THE DIAGRAMS AND INSTRUCTIONS IN THIS BROCHURE ARE FOR ILLUSTRATION PURPOSES ONLY AND ARE NOT MEANT TO REPLACE A LICENSED PROFESSIONAL. ANY CONSTRUCTION OR USE OF THE PRODUCT MUST BE IN ACCORDANCE WITH ALL LOCAL ZONING AND/OR BUILDING CODES. THE CONSUMER ASSUMES ALL RISKS AND LIABILITY ASSOCIATED WITH THE CONSTRUCTION OR USE OF THIS PRODUCT. THE CONSUMER OR CONTRACTOR SHOULD TAKE ALL NECESSARY STEPS TO ENSURE THE SAFETY OF EVERYONE INVOLVED IN THE PROJECT, INCLUDING, BUT NOT LIMITED TO, WEARING THE APPROPRIATE SAFETY EQUIPMENT. EXCEPT AS CONTAINED IN THE WRITTEN LIMITED WARRANTY, THE WARRANTOR DOES NOT PROVIDE ANY OTHER WARRANTY, EITHER EXPRESS OR IMPLIED, AND SHALL NOT BE LIABLE FOR ANY DAMAGES, INCLUDING CONSEQUENTIAL DAMAGES.