

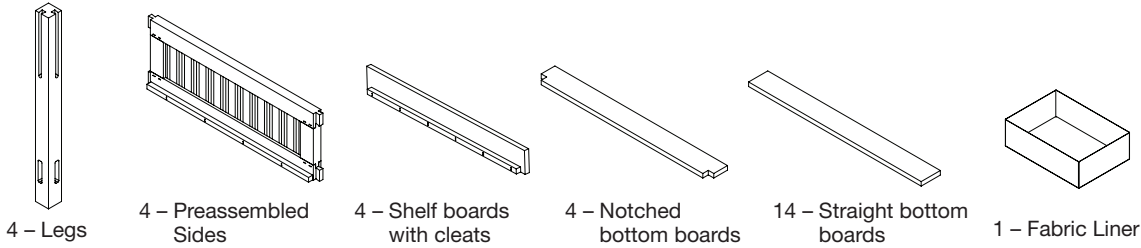


**OUTDOOR**  
ESSENTIALS®

# CONTEMPORARY 3X3 CORRUGATED METAL AND CEDAR GARDEN PLANTER – ASSEMBLY


ACTUAL SIZE: 34-3/4 in. L x 34-3/4 in. W x 31-3/4 in. H

## Kit Contents



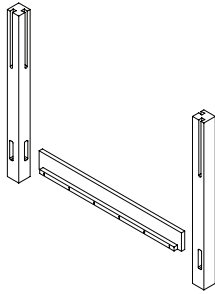
## Items needed

- Work gloves or gardening gloves
- You will need approximately 5 cubic feet of soil to fill the planter.

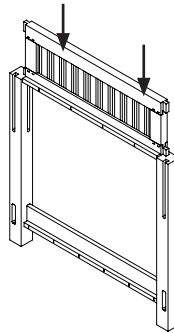
 View our assembly video at [oe.media/planters](https://oe.media/planters)

### Step 1: Assemble two sides.

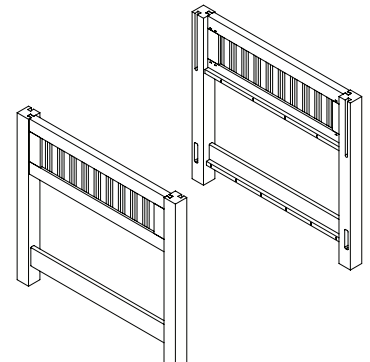
Insert one shelf board with cleat into the routed holes in the bottom of the two legs.



Slide the preassembled sides in the grooves of the legs. Make sure the cleats are pointing the same way.

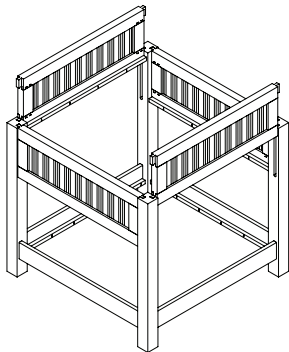
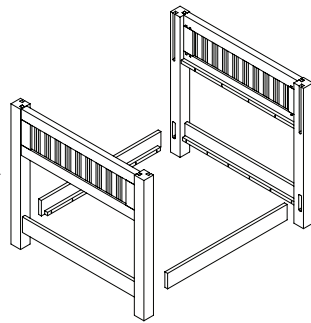


Repeat to build second side.



### Step 2: Connect the sides.

Stand up the completed sides, cleats facing in. Insert shelf boards with cleat into the holes in the legs to connect the sides.

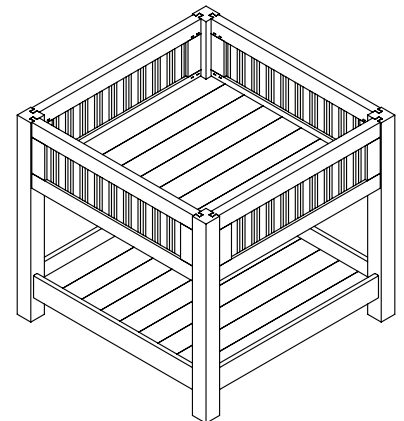
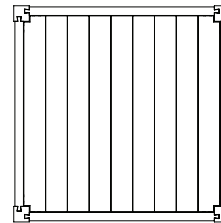


Slide the preassembled sides in the grooves of the legs to complete the sides.

### Step 3: Add the floors.

Place the bottom boards on the cleats to complete the planter and shelf. Lay down landscape fabric prior to filling with soil.  
Note: Boards will have small gaps between them to allow for drainage.

TOP VIEW



THE DIAGRAMS AND INSTRUCTIONS IN THIS BROCHURE ARE FOR ILLUSTRATION PURPOSES ONLY AND ARE NOT MEANT TO REPLACE A LICENSED PROFESSIONAL. ANY CONSTRUCTION OR USE OF THE PRODUCT MUST BE IN ACCORDANCE WITH ALL LOCAL ZONING AND/OR BUILDING CODES. THE CONSUMER ASSUMES ALL RISKS AND LIABILITY ASSOCIATED WITH THE CONSTRUCTION OR USE OF THIS PRODUCT. THE CONSUMER OR CONTRACTOR SHOULD TAKE ALL NECESSARY STEPS TO ENSURE THE SAFETY OF EVERYONE INVOLVED IN THE PROJECT, INCLUDING, BUT NOT LIMITED TO, WEARING THE APPROPRIATE SAFETY EQUIPMENT. EXCEPT AS CONTAINED IN THE WRITTEN LIMITED WARRANTY, THE WARRANTOR DOES NOT PROVIDE ANY OTHER WARRANTY, EITHER EXPRESS OR IMPLIED, AND SHALL NOT BE LIABLE FOR ANY DAMAGES, INCLUDING CONSEQUENTIAL DAMAGES.

©2022 UFP Retail Solutions, LLC. Outdoor Essentials is a registered trademark of UFP Industries, Inc.  
All rights reserved. 2801 E. Beltline NE, Grand Rapids, MI 49525 14004\_1/22

[OutdoorEssentialProducts.com](https://OutdoorEssentialProducts.com)