

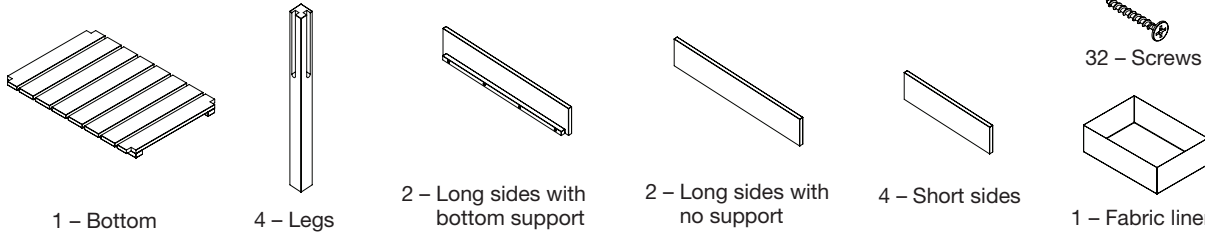


OUTDOOR
ESSENTIALS®

HOMESTEAD 20 in. x 28 in. HEAT-TREATED ELEVATED GARDEN PLANTER – ASSEMBLY

ACTUAL SIZE: 27-1/2 in. L x 19-3/4 in. W x 27-1/2 in. H

Kit Contents



Tools needed

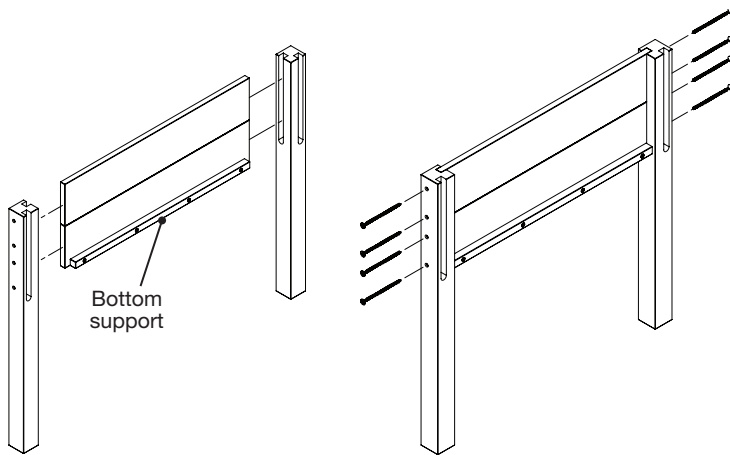


Cordless drill with
Phillips bit

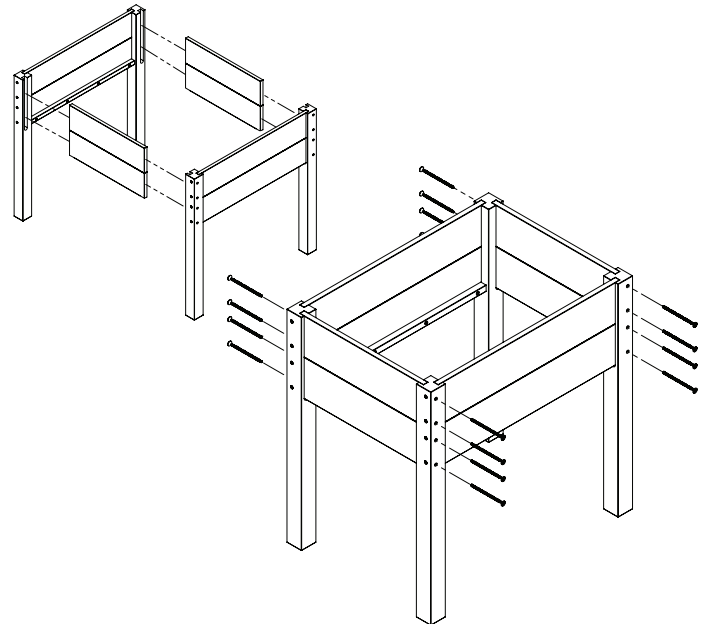


View our assembly
video at oe.media/planters

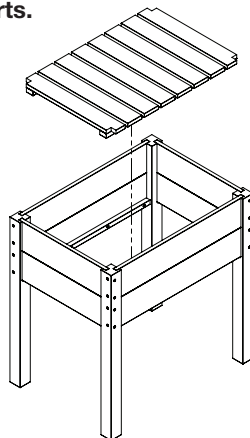
1 Attach long sides to legs as shown.



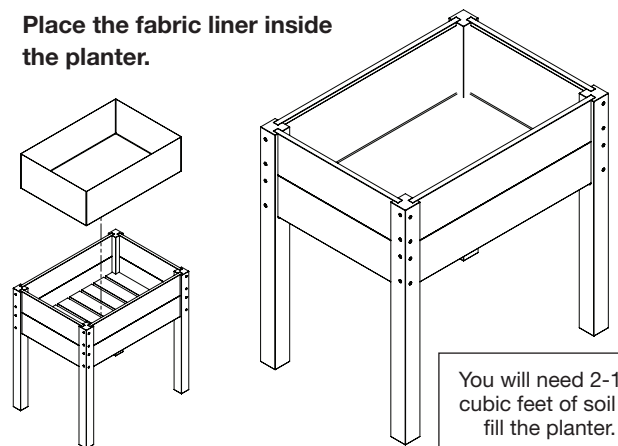
2 Attach short sides to assembled long sides as shown.



3 Place bottom on supports.



4 Place the fabric liner inside the planter.



You will need 2-1/2
cubic feet of soil to
fill the planter.

THE DIAGRAMS AND INSTRUCTIONS IN THIS BROCHURE ARE FOR ILLUSTRATION PURPOSES ONLY AND ARE NOT MEANT TO REPLACE A LICENSED PROFESSIONAL. ANY CONSTRUCTION OR USE OF THE PRODUCT MUST BE IN ACCORDANCE WITH ALL LOCAL ZONING AND/OR BUILDING CODES. THE CONSUMER ASSUMES ALL RISKS AND LIABILITY ASSOCIATED WITH THE CONSTRUCTION OR USE OF THIS PRODUCT. THE CONSUMER OR CONTRACTOR SHOULD TAKE ALL NECESSARY STEPS TO ENSURE THE SAFETY OF EVERYONE INVOLVED IN THE PROJECT, INCLUDING, BUT NOT LIMITED TO, WEARING THE APPROPRIATE SAFETY EQUIPMENT. EXCEPT AS CONTAINED IN THE WRITTEN LIMITED WARRANTY, THE WARRANTOR DOES NOT PROVIDE ANY OTHER WARRANTY, EITHER EXPRESS OR IMPLIED, AND SHALL NOT BE LIABLE FOR ANY DAMAGES, INCLUDING CONSEQUENTIAL DAMAGES.

©2022 UFP Retail Solutions, LLC. Outdoor Essentials is a registered trademark of UFP Industries, Inc.
All rights reserved. 2801 E. Beltline NE, Grand Rapids, MI 49525 14057_2/22

OutdoorEssentialProducts.com