

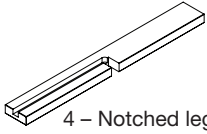


**OUTDOOR**  
ESSENTIALS®

# HOMESTEAD WEDGE CEDAR GARDEN PLANTER – ASSEMBLY

ACTUAL SIZE: 15-1/2 in. L x 25-1/8 in. W x 14-1/2 in. H

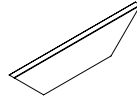
## Kit Contents



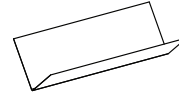
4 – Notched legs



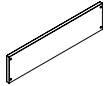
2 – Small end wedges



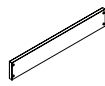
2 – Large end wedges



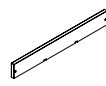
1 – Landscape fabric



2 – 5-3/8" W x 22" L  
Wide side planks



1 – 3-1/2" W x 22" L  
Medium side plank



1 – 2-7/8" W x 22" L  
Notched side plank



20 – Screws

## Tools needed

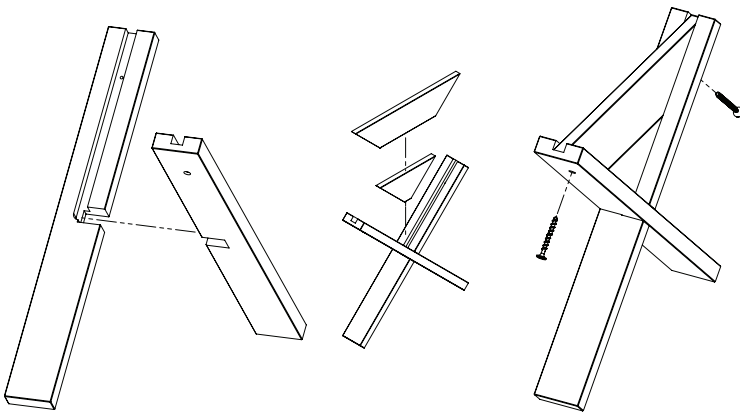


Cordless drill with  
Phillips bit  
(2" bit or longer  
recommended)

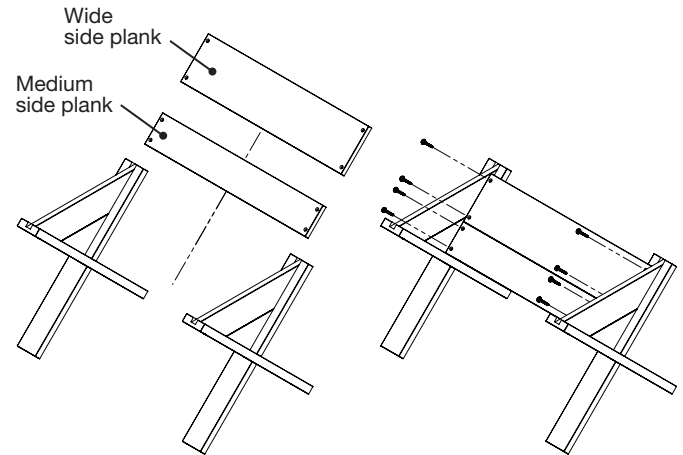


View our assembly  
video at [oe.media/planters](http://oe.media/planters)

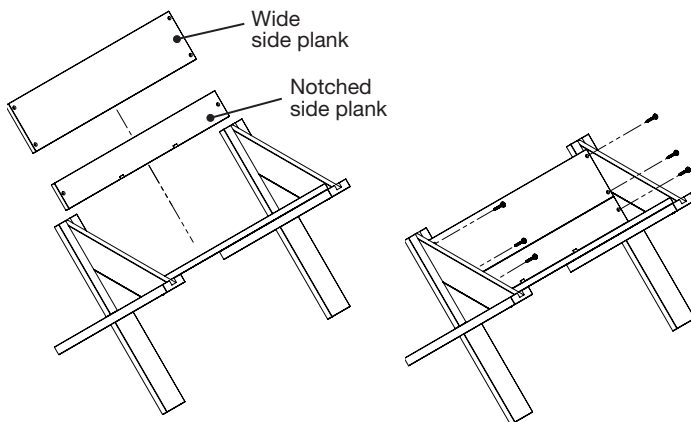
### 1 Assemble ends with screws as shown.



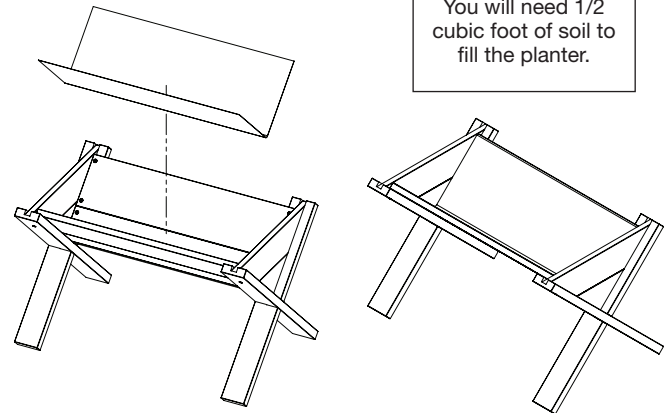
### 2 Attach medium side plank and one wide side plank with screws as shown to complete one side.



### 3 Attach notched side plank and remaining wide side plank with short screws as shown to complete planter.



### 4 Place landscape fabric in planter before adding soil.



You will need 1/2 cubic foot of soil to fill the planter.

THE DIAGRAMS AND INSTRUCTIONS IN THIS BROCHURE ARE FOR ILLUSTRATION PURPOSES ONLY AND ARE NOT MEANT TO REPLACE A LICENSED PROFESSIONAL. ANY CONSTRUCTION OR USE OF THE PRODUCT MUST BE IN ACCORDANCE WITH ALL LOCAL ZONING AND/OR BUILDING CODES. THE CONSUMER ASSUMES ALL RISKS AND LIABILITY ASSOCIATED WITH THE CONSTRUCTION OR USE OF THIS PRODUCT. THE CONSUMER OR CONTRACTOR SHOULD TAKE ALL NECESSARY STEPS TO ENSURE THE SAFETY OF EVERYONE INVOLVED IN THE PROJECT, INCLUDING, BUT NOT LIMITED TO, WEARING THE APPROPRIATE SAFETY EQUIPMENT. EXCEPT AS CONTAINED IN THE WRITTEN LIMITED WARRANTY, THE WARRANTOR DOES NOT PROVIDE ANY OTHER WARRANTY, EITHER EXPRESS OR IMPLIED, AND SHALL NOT BE LIABLE FOR ANY DAMAGES, INCLUDING CONSEQUENTIAL DAMAGES.

©2022 UFP Retail Solutions, LLC. Outdoor Essentials is a registered trademark of UFP Industries, Inc.  
All rights reserved. 2801 E. Beltline NE, Grand Rapids, MI 49525 14056\_2/22

[OutdoorEssentialProducts.com](http://OutdoorEssentialProducts.com)