



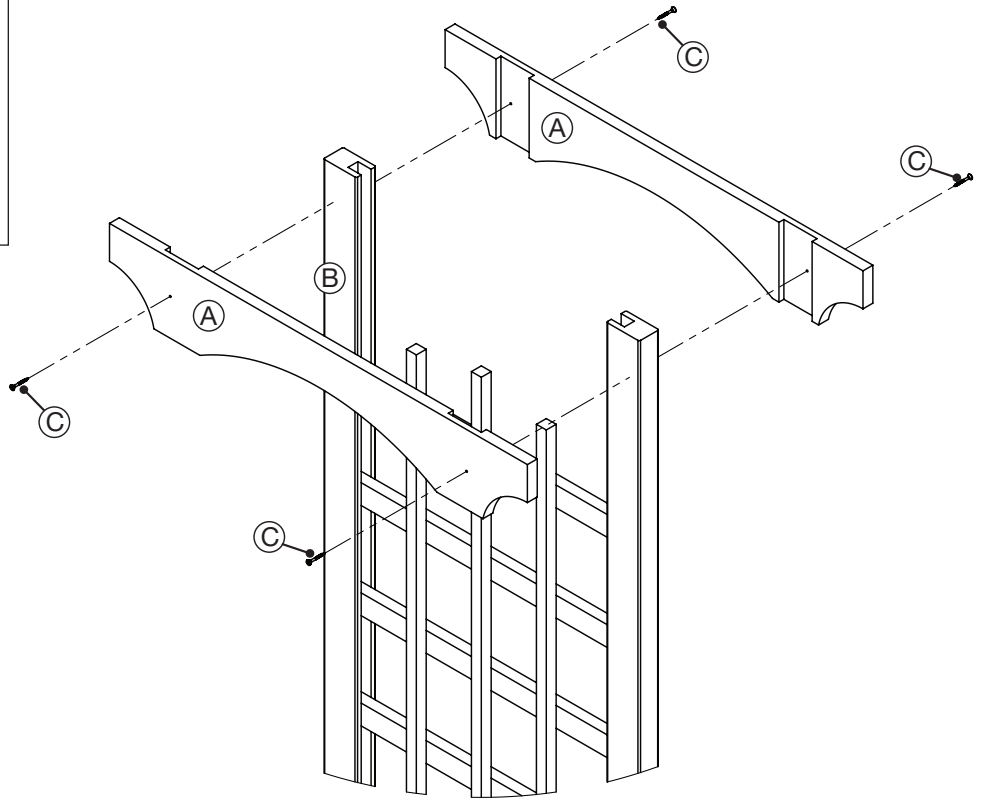
**OUTDOOR
ESSENTIALS®**

HEIRLOOM 72 IN. WALNUT-TONE FARMHOUSE TRELLIS ASSEMBLY INSTRUCTIONS

Kit Contents: (A) 2 – Header beams
(B) 1 – Trellis panel
(C) 4 – Screws

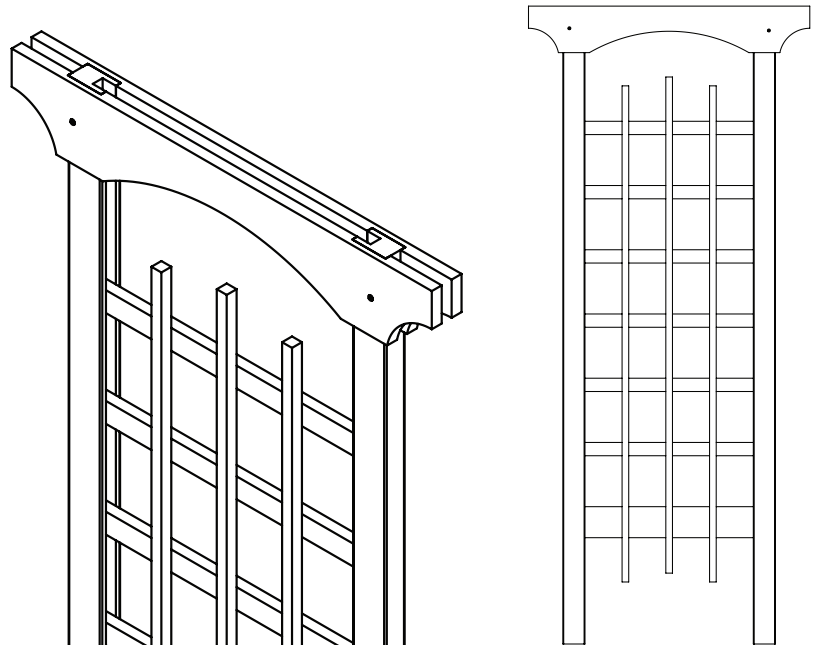
Tools Needed:

Power drill with Phillips bit or a screwdriver



ATTACH THE HEADER BEAMS

- 1** Position the header beams (A) onto the trellis panel (B) by aligning the trellis panel supports with the grooves as shown.
- 2** Be sure the beams are flush with the top of the panel and attach with screws (C).
- 3** Position your trellis by leaning it against a wall, staking it in the ground, or attaching it to a wall with trellis mounting brackets (not included in kit).



THE DIAGRAMS AND INSTRUCTIONS IN THIS BROCHURE ARE FOR ILLUSTRATION PURPOSES ONLY AND ARE NOT MEANT TO REPLACE A LICENSED PROFESSIONAL. ANY CONSTRUCTION OR USE OF THE PRODUCT MUST BE IN ACCORDANCE WITH ALL LOCAL ZONING AND/OR BUILDING CODES. THE CONSUMER ASSUMES ALL RISKS AND LIABILITY ASSOCIATED WITH THE CONSTRUCTION OR USE OF THIS PRODUCT. THE CONSUMER OR CONTRACTOR SHOULD TAKE ALL NECESSARY STEPS TO ENSURE THE SAFETY OF EVERYONE INVOLVED IN THE PROJECT, INCLUDING, BUT NOT LIMITED TO, WEARING THE APPROPRIATE SAFETY EQUIPMENT. EXCEPT AS CONTAINED IN THE WRITTEN LIMITED WARRANTY, THE WARRANTOR DOES NOT PROVIDE ANY OTHER WARRANTY, EITHER EXPRESS OR IMPLIED, AND SHALL NOT BE LIABLE FOR ANY DAMAGES, INCLUDING CONSEQUENTIAL DAMAGES.

©2022 UFP Retail Solutions, LLC. Outdoor Essentials is a registered trademark of UFP Industries, Inc.
All rights reserved. 2801 E. Beltline NE, Grand Rapids, MI 49525 1-844-529-5882 14367_8/22

OutdoorEssentialProducts.com