



## Contents

- 1 – Preassembled table top (A)
- 2 – Preassembled seats (B)
- 2 – Predrilled seat crossmembers (C)
- 2 – 24" diagonal braces (D)
- 4 – Predrilled table legs (E)
- 20 – 2-1/2" carriage bolts, washers and wing nuts
- 4 – 1-3/4" wood screws

## Items you will need

- Drill or screwdriver with a Phillips head bit
- Adjustable wrench

## Optional

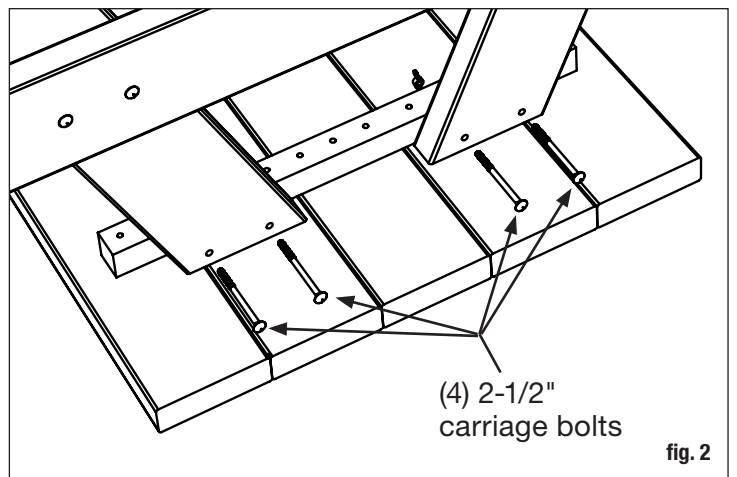
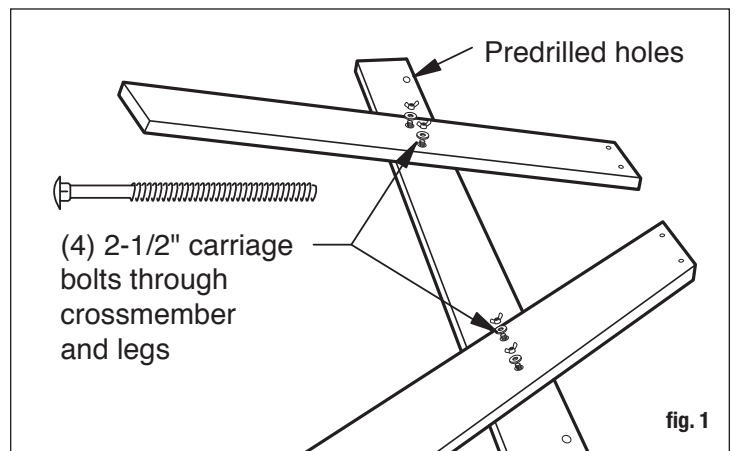
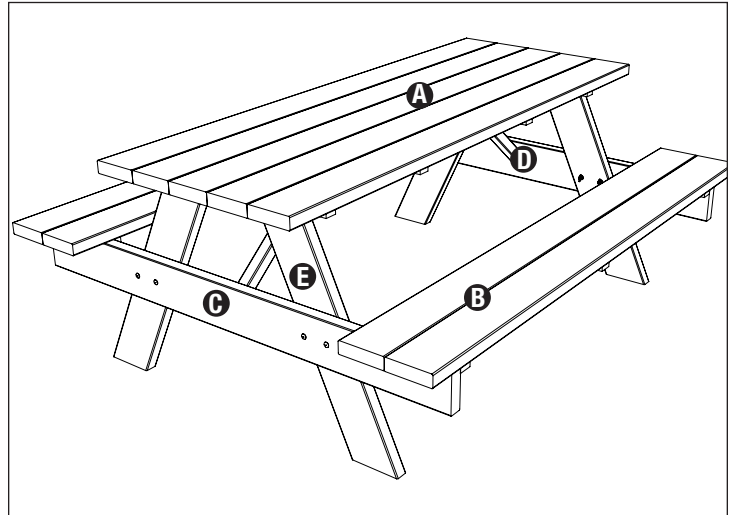
To maintain the appearance of your table, seal with a finishing oil every year.

## Step 1

Insert four (4) 2-1/2" carriage bolts into the predrilled seat crossmember (C) and position so that the bolt heads are on the ground and the threads are exposed. Be sure to position the seat crossmember so its outer predrilled holes will be at the top of the finished assembly. These will be used when assembling the seat support. Position the legs (E) so that the predrilled holes align with the bolts and the tops of the legs are level and straight. Add the washers and secure with the wing nuts. Repeat step for the second leg assembly (fig. 1).

## Step 2

Place the preassembled table top (A) upside down and position the legs as shown, making sure the seat crossmember is facing out. Attach the legs to the table top using four (4) 2-1/2" carriage bolts through the predrilled holes and secure with washers and wing nuts (fig. 2). Repeat step for the second leg assembly. Once the leg assemblies are attached, tighten carriage bolts with a wrench.



## PICNIC TABLE ASSEMBLY INSTRUCTIONS, CONT.

### Step 3

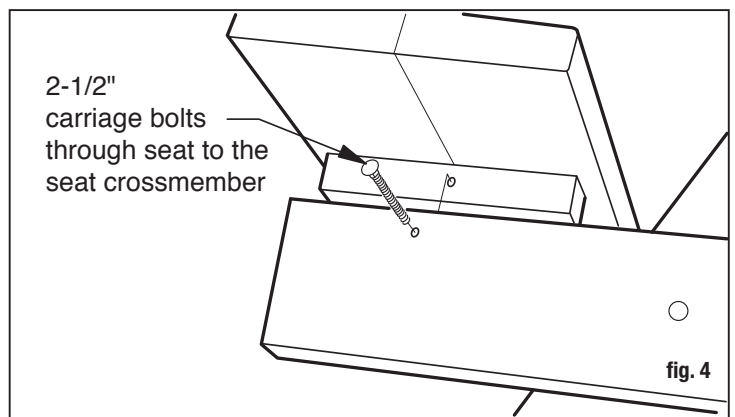
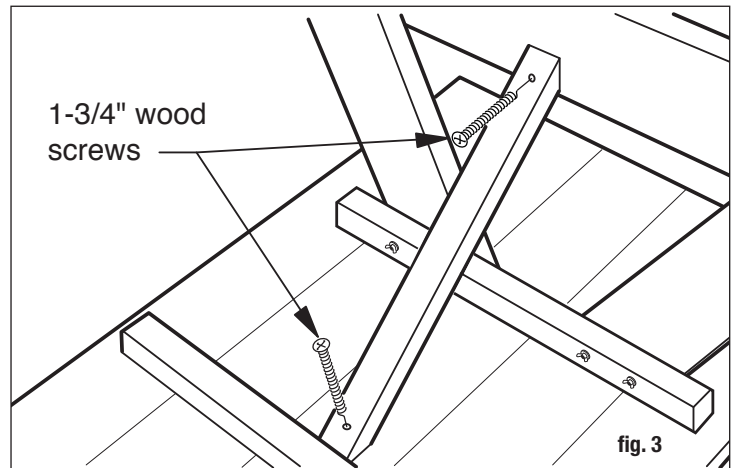
Position and attach a predrilled diagonal brace (D) between the seat crossmember and the center table support using the 1-3/4" wood screws. Before attaching the diagonal brace, make sure the legs are perpendicular to the table top. This will ensure that the table top is level and the seats can be attached correctly (fig. 3). Repeat step for the second leg assembly. Turn the table right side up.

### Step 4

Place the outside edge of the seat support (B) flush with the end of the seat crossmember. Align the predrilled hole in the seat crossmember with the predrilled hole in the seat support. Insert the carriage bolt and secure it using a washer and wing nut (fig. 4). Repeat step for both ends of each bench.

### Step 5

Ensure all wing nuts and screws are fully tightened.



THE DIAGRAMS AND INSTRUCTIONS IN THIS BROCHURE ARE FOR ILLUSTRATION PURPOSES ONLY AND ARE NOT MEANT TO REPLACE A LICENSED PROFESSIONAL. ANY CONSTRUCTION OR USE OF THE PRODUCT MUST BE IN ACCORDANCE WITH ALL LOCAL ZONING AND/OR BUILDING CODES. THE CONSUMER ASSUMES ALL RISKS AND LIABILITY ASSOCIATED WITH THE CONSTRUCTION OR USE OF THIS PRODUCT. THE CONSUMER OR CONTRACTOR SHOULD TAKE ALL NECESSARY STEPS TO ENSURE THE SAFETY OF EVERYONE INVOLVED IN THE PROJECT, INCLUDING, BUT NOT LIMITED TO, WEARING THE APPROPRIATE SAFETY EQUIPMENT. EXCEPT AS CONTAINED IN THE WRITTEN LIMITED WARRANTY, THE WARRANTOR DOES NOT PROVIDE ANY OTHER WARRANTY, EITHER EXPRESS OR IMPLIED, AND SHALL NOT BE LIABLE FOR ANY DAMAGES, INCLUDING CONSEQUENTIAL DAMAGES.

©2017 Universal Forest Products, Inc. Outdoor Essentials is a registered trademark of Universal Forest Products, Inc.

Assembled in the USA with imported fasteners. All rights reserved.

2801 East Beltline NE, Grand Rapids, MI 49525 800.598.9663 9334\_4/17

OutdoorEssentialProducts.com